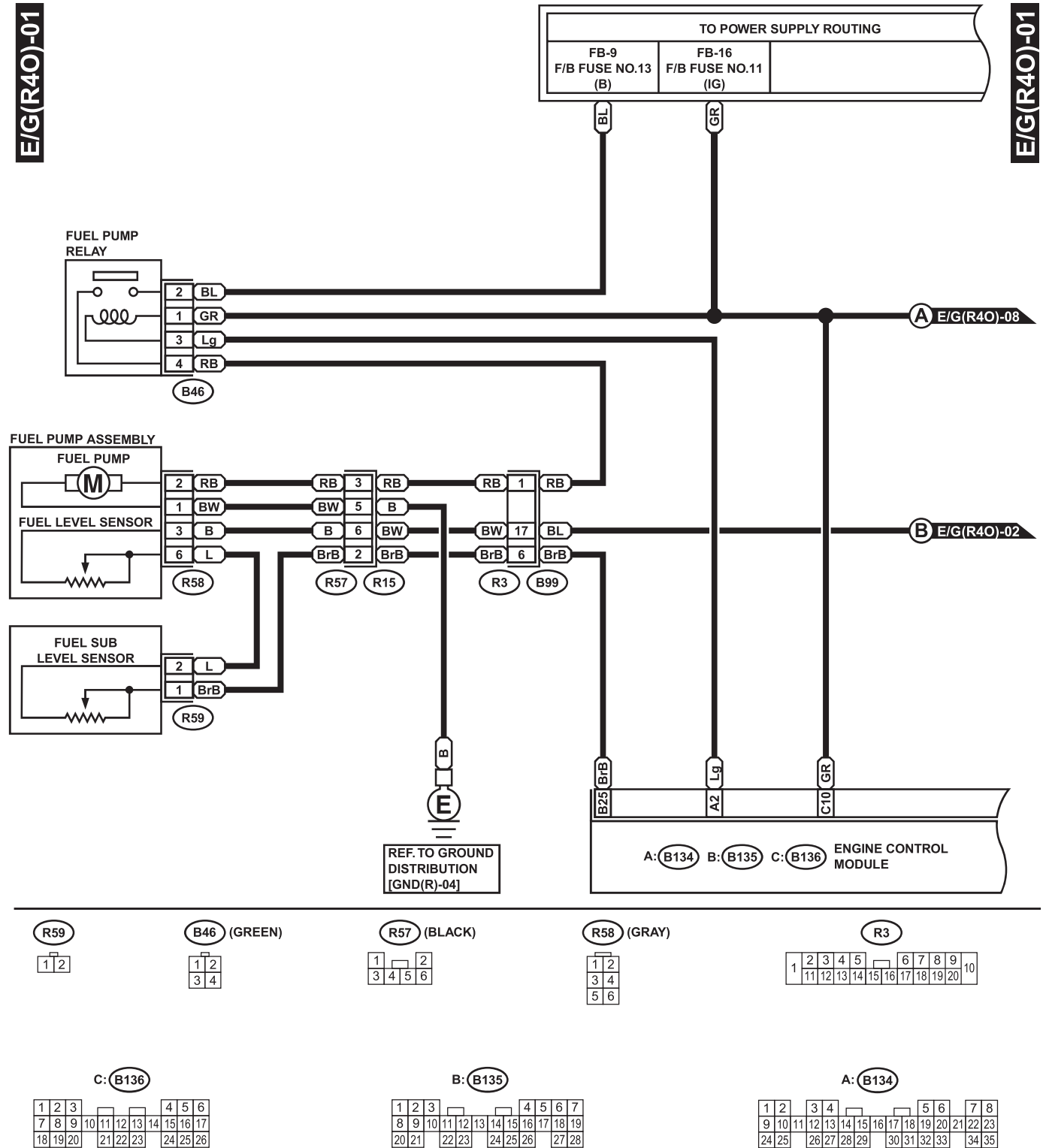


# ENGINE ELECTRICAL SYSTEM

WIRING SYSTEM

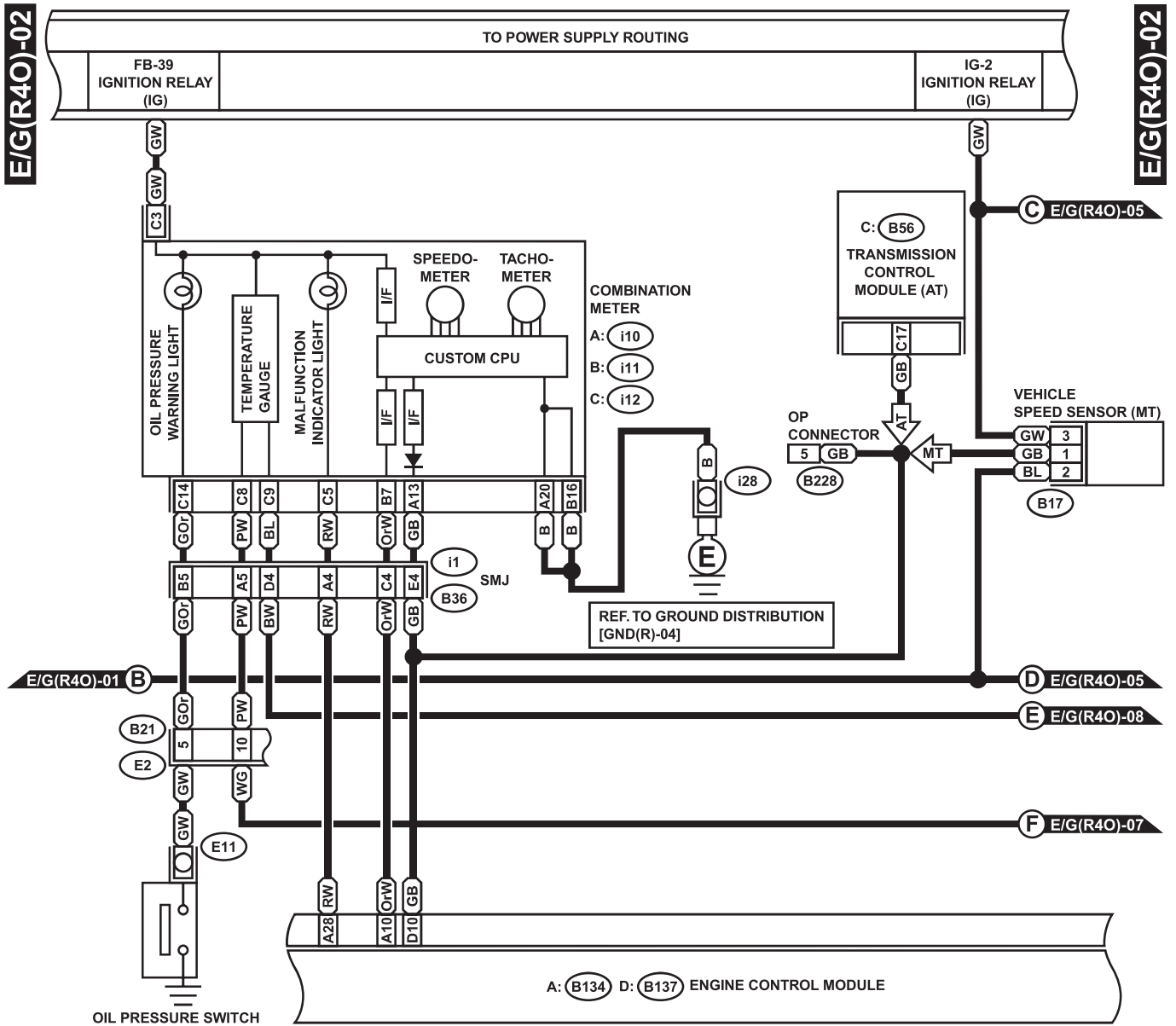
## 5. RHD 4-CYLINDER NON-TURBO ENGINE WITH OBD MODEL



WI-00909

# ENGINE ELECTRICAL SYSTEM

WIRING SYSTEM



**B17**

1	2	3
---	---	---

**C: i12 (GREEN)**

1	2	3	4	5	6		
7	8	9	10	11	12	13	14

**B228**

1	2	3	4	5	6	7	8	9	10	11	12	13	14	15
---	---	---	---	---	---	---	---	---	----	----	----	----	----	----

**B: i11 (GREEN)**

1	2	3	4	5	6	7	8	9	10	11	12	13	14	15	16
---	---	---	---	---	---	---	---	---	----	----	----	----	----	----	----

**B21 (LIGHT GRAY)**

1	2	3	4
5	6	7	8
9	10	11	12
13	14	15	16
17	18	19	20

**D: B137**

1	2	3	4					
5	6	7	8	9	10	11	12	13
14	15	16	17	18	19	20		

**C: B56 (GREEN)**

1	2	3	4	5	6	7	8	9
10	11	12	13	14	15	16	17	18
19	20	21	22	23	24			

**A: i10 (GREEN)**

1	2	3	4	5	6	7	8	9	10	11	12	13	14		
15	16	17	18	19	20	21	22	23	24	25	26	27	28	29	30

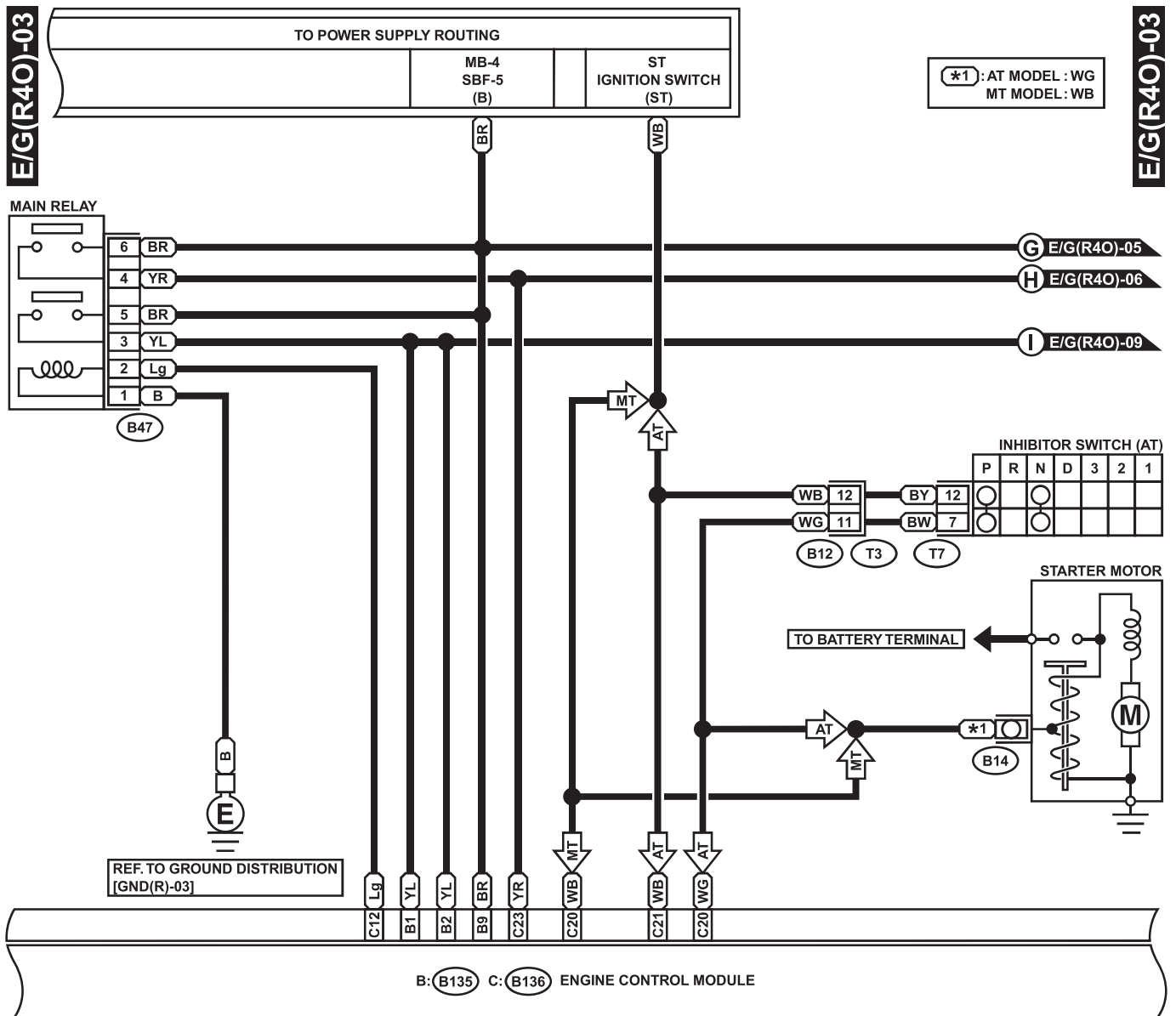
**A: B134**

1	2	3	4	5	6	7	8							
9	10	11	12	13	14	15	16	17	18	19	20	21	22	23
24	25	26	27	28	29	30	31	32	33	34	35			

WI-00910

# ENGINE ELECTRICAL SYSTEM

WIRING SYSTEM



(B47) (BROWN)

1	2
3	4
5	6

(B12)

1	2	3	4
5	6	7	8
9	10	11	12

(T7)

1	2	3	4	5	6
7	8	9	10	11	12

C: (B136)

1	2	3	4	5	6
7	8	9	10	11	12
13	14	15	16	17	18
19	20	21	22	23	24
25	26				

B: (B135)

1	2	3	4	5	6	7
8	9	10	11	12	13	14
15	16	17	18	19		
20	21	22	23	24	25	26
27	28					

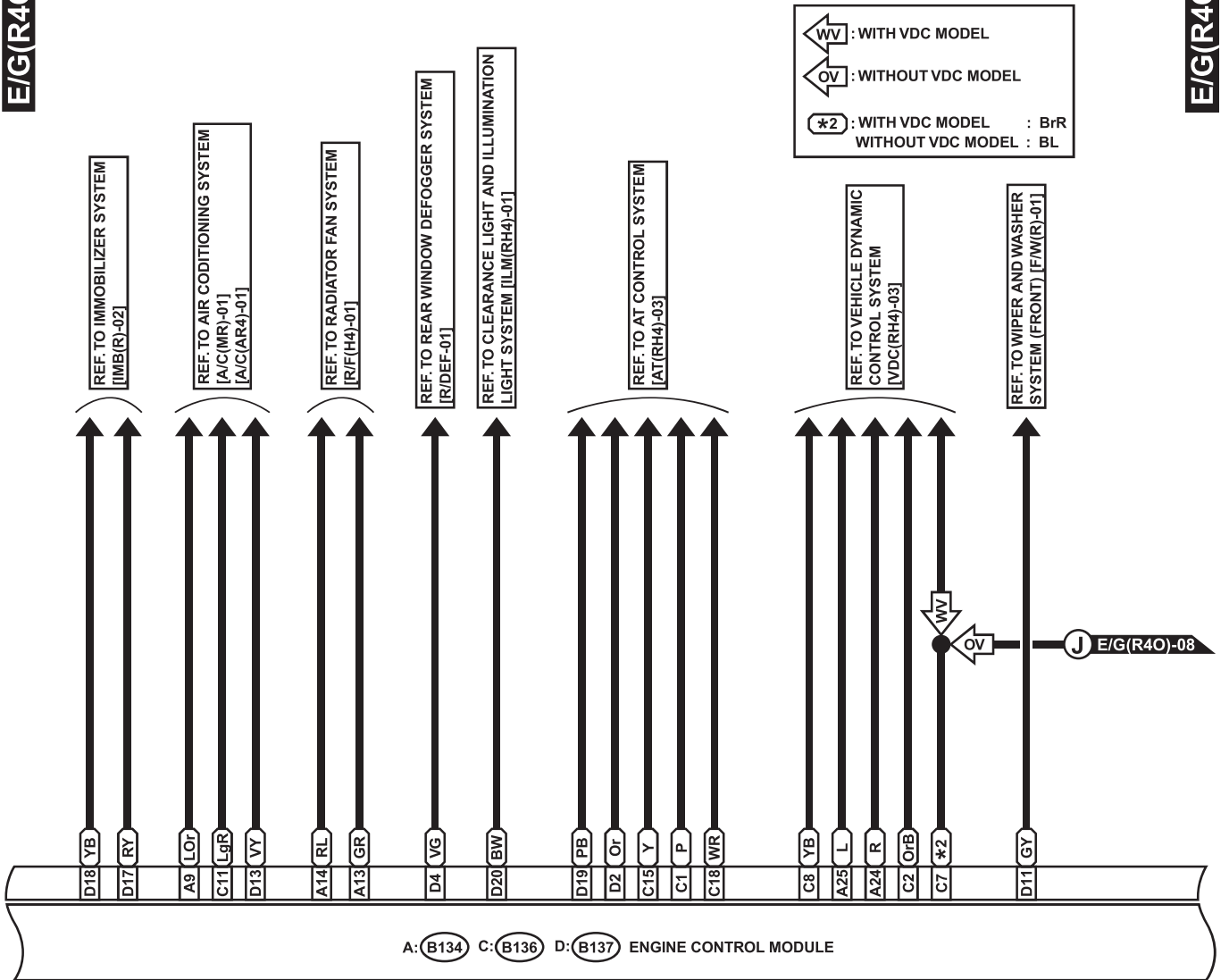
WI-00911

# ENGINE ELECTRICAL SYSTEM

WIRING SYSTEM

E/G(R40)-04

E/G(R40)-04



D: B137

1	2			3	4
5	6	8	9	10	11
12	13	14	15	16	17
18	19	20			

C: B136

1	2	3			4	5	6
7	8	9	10	11	12	13	14
15	16	17	18	19	20	21	22
23	24	25	26				

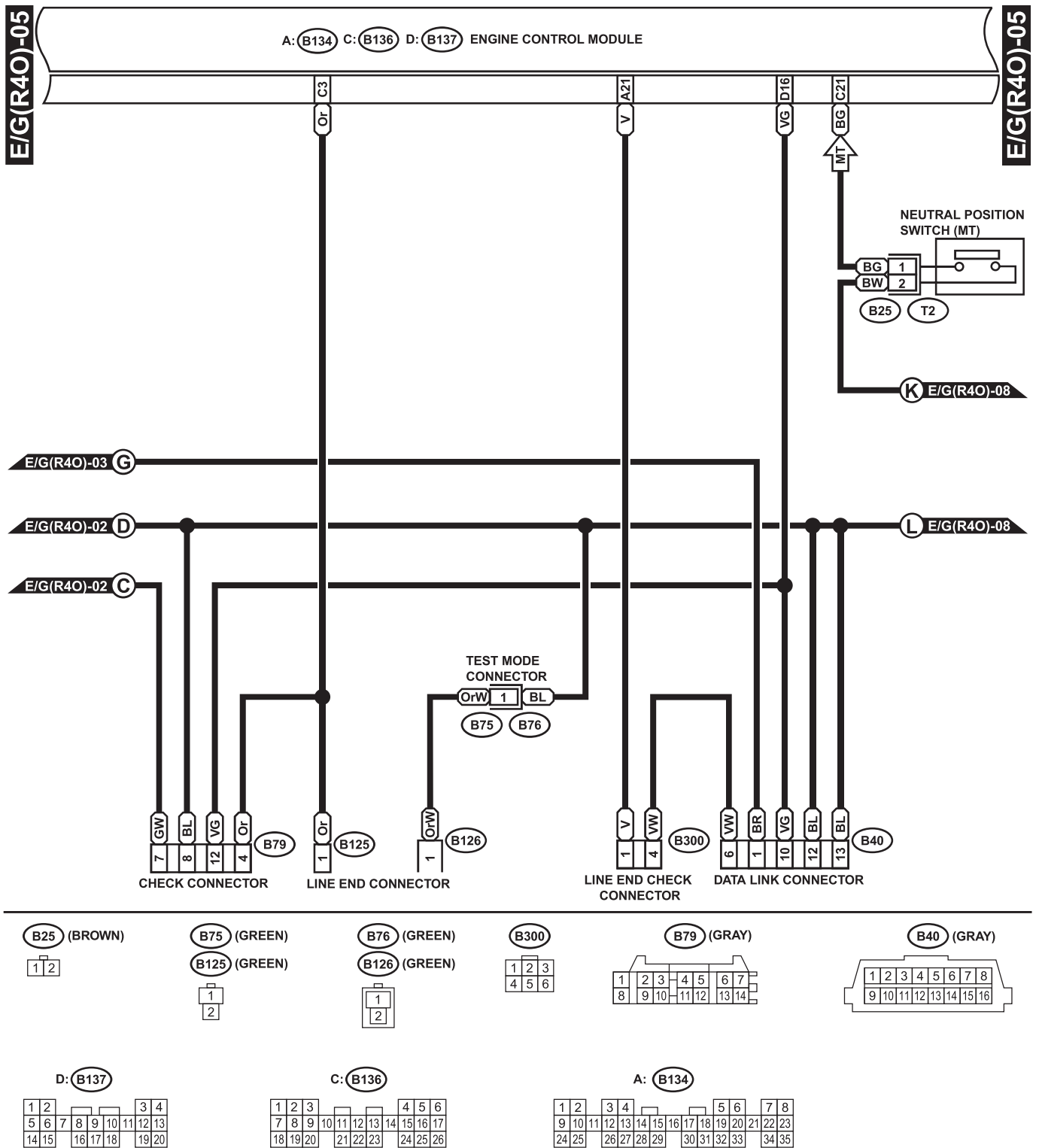
A: B134

1	2	3	4			5	6	7	8
9	10	11	12	13	14	15	16	17	18
19	20	21	22	23	24	25	26	27	28
29	30	31	32	33	34	35			

WI-00912

# ENGINE ELECTRICAL SYSTEM

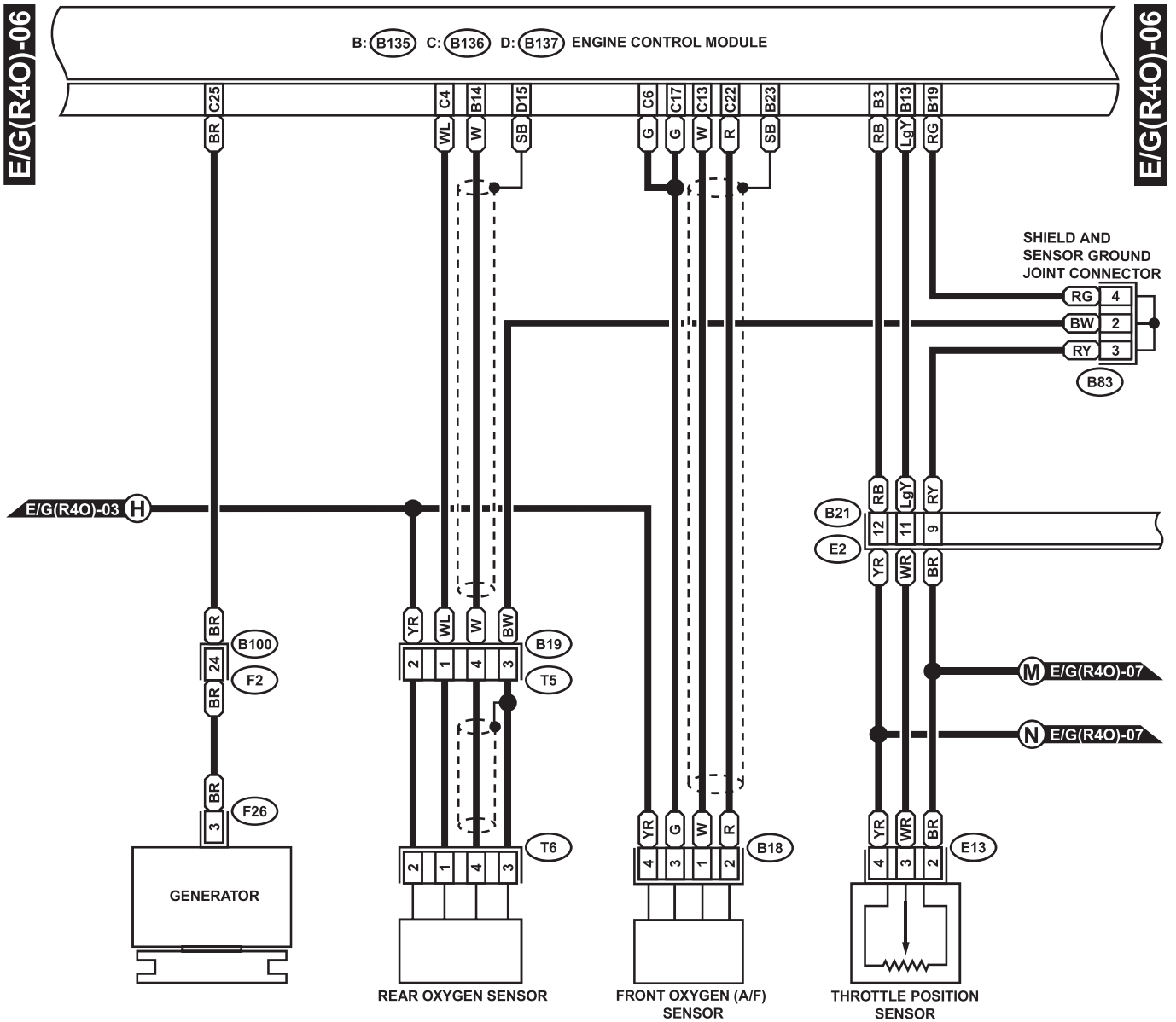
WIRING SYSTEM



WI-00913

# ENGINE ELECTRICAL SYSTEM

WIRING SYSTEM



F26 (GREEN)



B83

E13 (DARK BROWN)



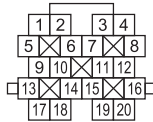
B18

B19

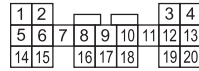
T6



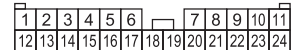
B21 (LIGHT GRAY)



D: B137



F2 (BLACK)



C: B136



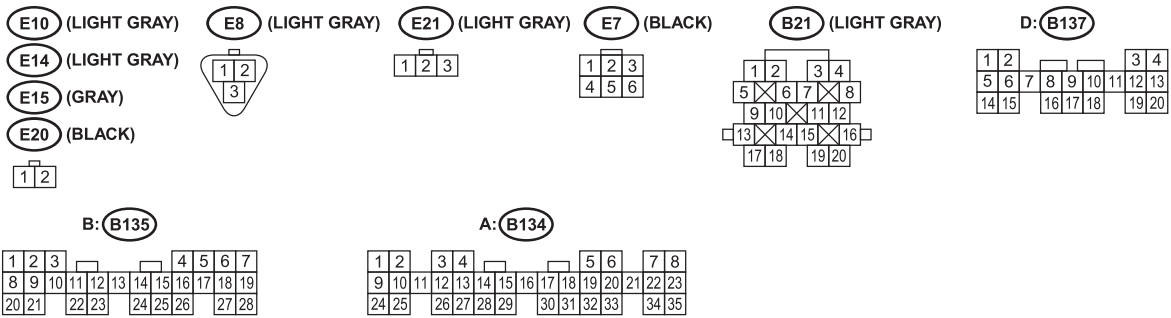
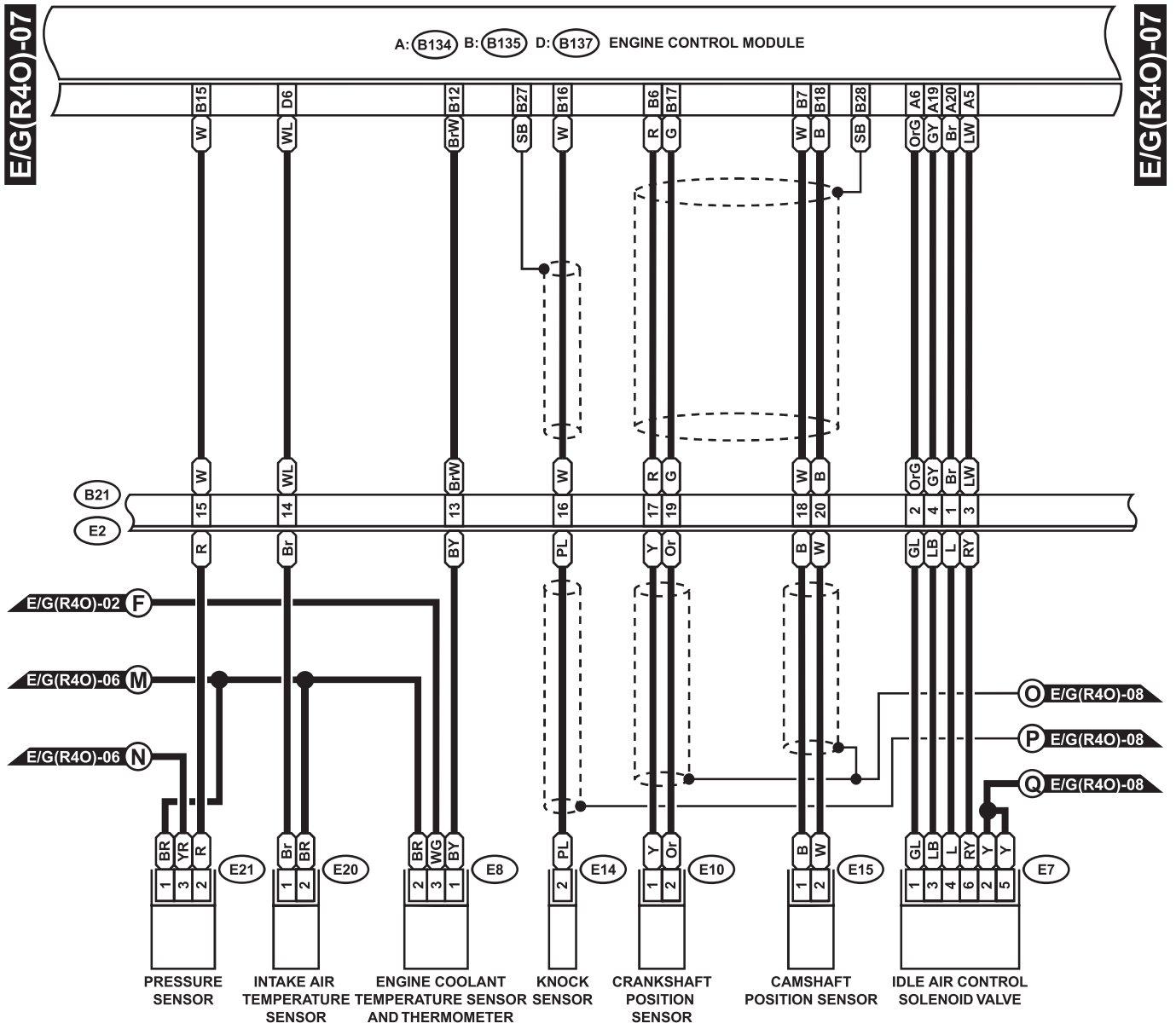
B: B135



WI-00914

# ENGINE ELECTRICAL SYSTEM

WIRING SYSTEM

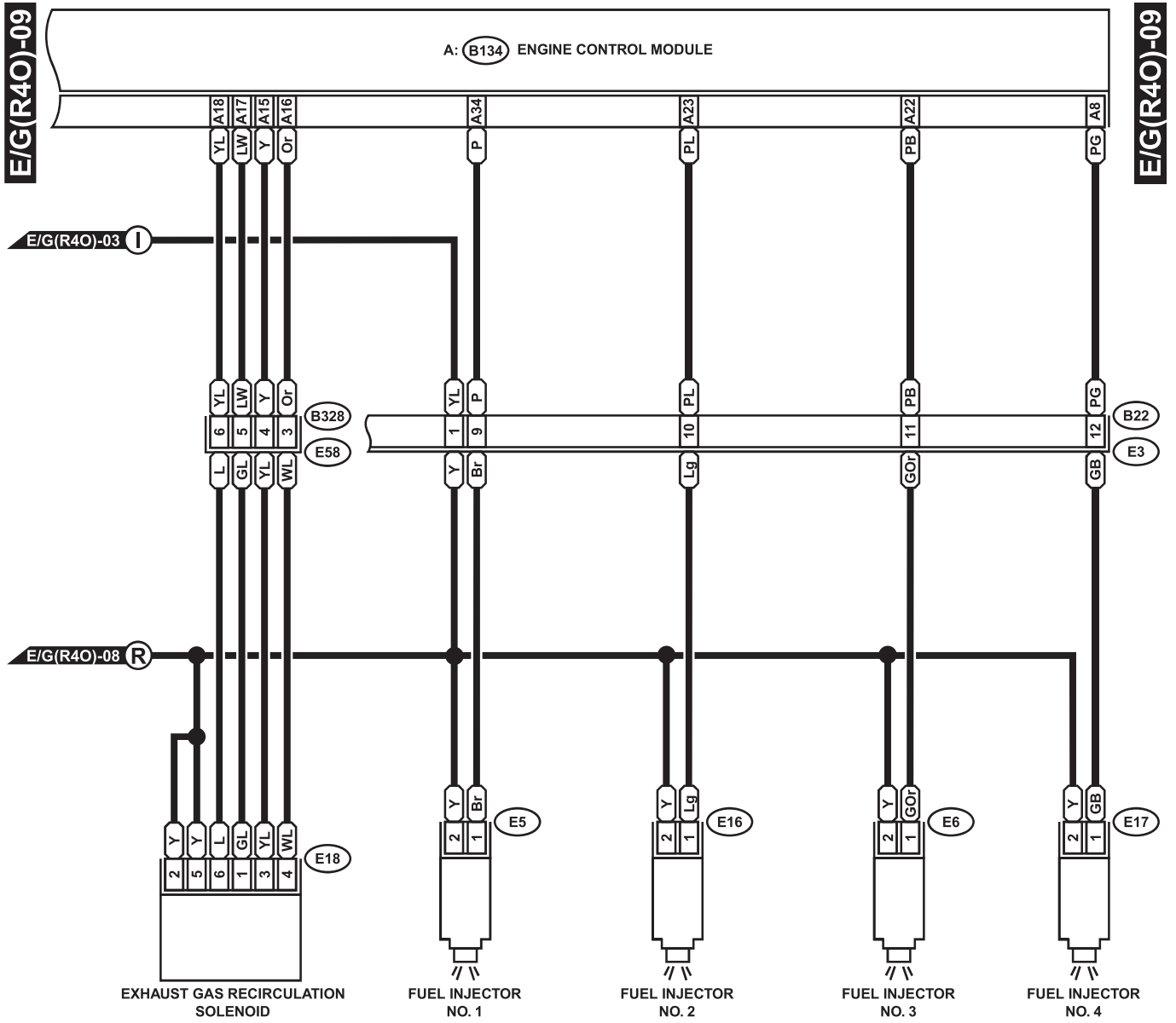


WI-00915



# ENGINE ELECTRICAL SYSTEM

WIRING SYSTEM



- (E5) (LIGHT GRAY)
- (E6) (LIGHT GRAY)
- (E16) (LIGHT GRAY)
- (E17) (LIGHT GRAY)

- (B328) (BLACK)
  - (E18) (DARK GRAY)
- |   |   |   |
|---|---|---|
| 1 | 2 | 3 |
| 4 | 5 | 6 |

- (B22) (BROWN)
- |    |    |    |    |
|----|----|----|----|
| 1  | 2  | 3  | 4  |
| 5  | 6  | 7  | 8  |
| 9  | 10 | 11 | 12 |
| 13 | 14 | 15 | 16 |

- A: (B134)
- |    |    |    |    |    |    |    |    |    |    |    |    |    |    |    |
|----|----|----|----|----|----|----|----|----|----|----|----|----|----|----|
| 1  | 2  | 3  | 4  |    | 5  | 6  | 7  | 8  |    |    |    |    |    |    |
| 9  | 10 | 11 | 12 | 13 | 14 | 15 | 16 | 17 | 18 | 19 | 20 | 21 | 22 | 23 |
| 24 | 25 | 26 | 27 | 28 | 29 | 30 | 31 | 32 | 33 | 34 | 35 |    |    |    |



WI-00917