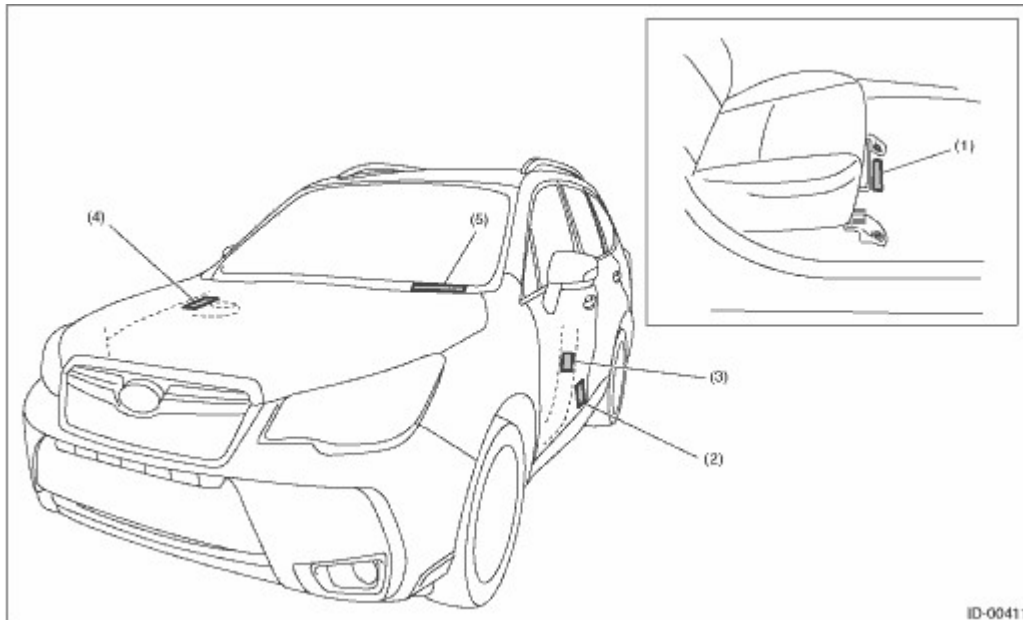


IDENTIFICATION

1. IDENTIFICATION NUMBER AND LABEL LOCATIONS

The V.I.N. (Vehicle Identification Numbers) is used to classify the vehicle.

• Positioning of the plate label for identification



(1) Vehicle identification number (V.I.N.)
(below right front floor carpet)

(3) Tire inflation pressure
label (driver's side)

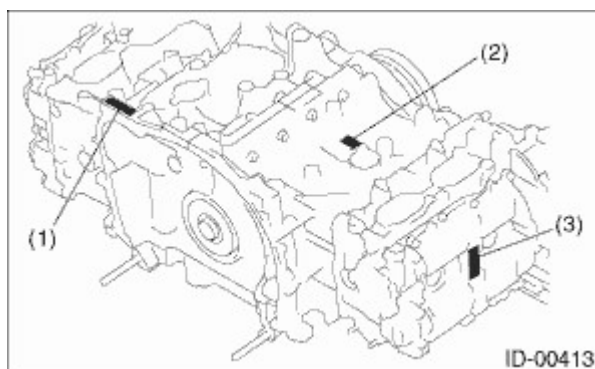
(5) VIN
plate

(2) ID label, model number label, etc. (placed
on the right side only for China model)

(4) Plate compliance (KA
model)

• Engine

Gasoline engine

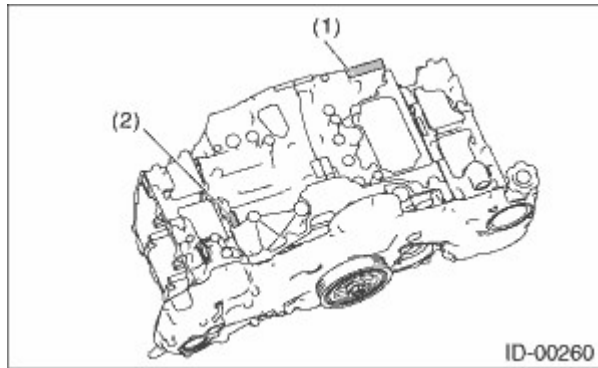


(1) Engine serial number (punch mark)

(2) Engine type (casting) crankcase upper side

(3) Engine serial number (punch mark) (turbo model for China)

Diesel engine

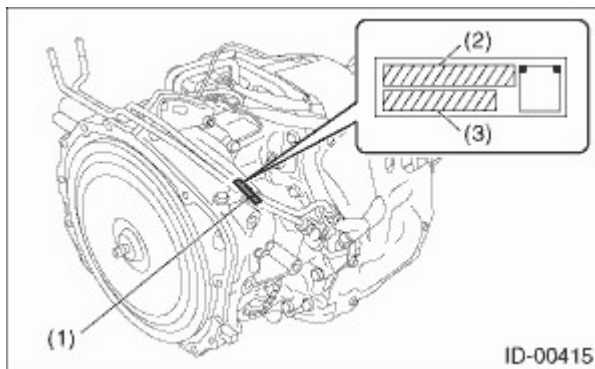


- (1) Engine serial number (punch mark)
- (2) Engine type (casting) crankcase upper side

• Automatic transmission

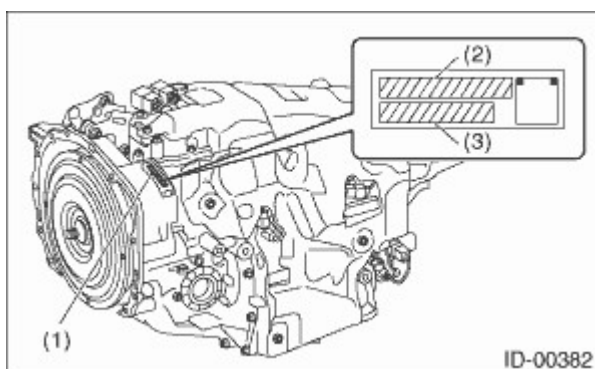
CVT

- TR690



- (1) Label
- (2) CVT type label
- (3) Transmission serial No. label

- TR580



- (1) Label
- (2) CVT type label
- (3) Transmission serial No. label

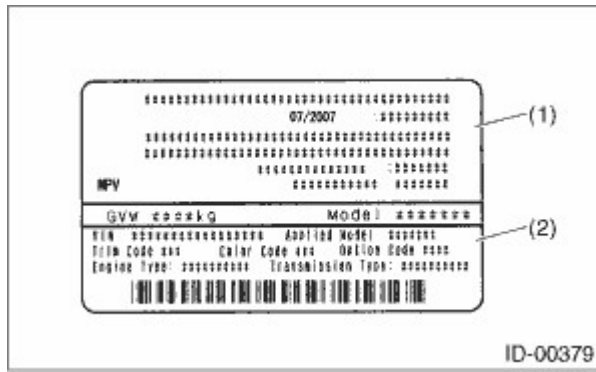
• Manual transmission



(1) Label built date

(2) Label model No.

- Label Saudi
 GCC countries (KS)



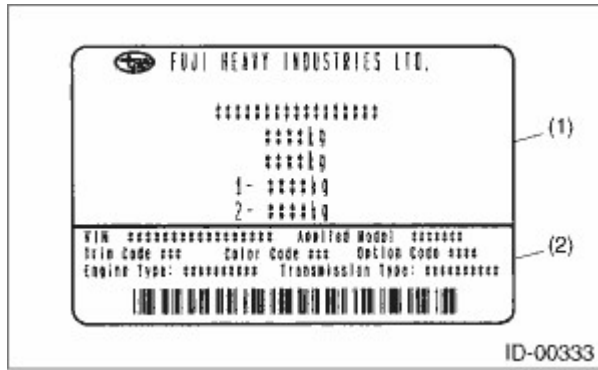
(1) Label Saudi

(2) Label model No.

- Label model No.
 General (K4, E3, EE, EN, KE)



- Label Russia
 Russia (EA), Philippines (E9)



(1) Label Russia

(2) Label model No.

• **China label**

China (EH), Beijing (ET)

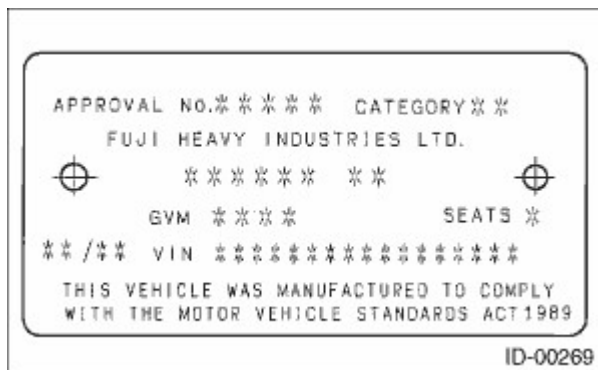


(1) China label

(2) Model number label

• **Plate compliance**

Australia (KA)



2. MEANING OF V.I.N.

The meaning of the V.I.N. is as follows:

• **Europe/General (except for KS, EH, ET)**

JJF1SJ5LA3DG002001

The starting and ending brackets () [] are stop marks.

Digits	Code	Meaning	Details
--------	------	---------	---------

1 – 3	JF1	Manufacturer body area	JF1: Europe general (except Australia) JF2: Australia
4	S	Car line	S: Forester
5	J	Body type	J: Wagon
6	5	Displacement	5: 2.0 L AWD (non-turbo) 9: 2.5 L AWD (non-turbo) D: 2.0 L AWD diesel turbo G: 2.0 L AWD DIT turbo
7	L	Steering position	K: RHD (right handle model) L: LHD (left handle model)
8	A	Engine & transmission	A: DOHC full-time single range 6MT C: DOHC CVT Z: DOHC CDI turbo single range 6MT 8: DOHC turbo CVT
9	3	Drive type	3: Full-time AWD single range 5: AWD CVT
10	D	Model year	D: 2013MY
11	G	Factory location	G: FHI (Gunma)
12 – 17	002001	Serial number	LHD model: 002001 – RHD model: 002001 –

● **Saudi Arabia, China (for KS, EH, ET)**

]JF1SJ51AXDG002001[

The starting and ending brackets (] [) are stop marks.

Digits	Code	Meaning	Details
1 – 3	JF1	Manufacturer body area	JF1: China (EH, ET) JF2: Saudi Arabia (KS)
4	S	Car line	S: Forester
5	J	Body type	J: Wagon
6	5	Displacement	5: 2.0 L AWD 9: 2.5 L AWD
7	1	Grade	1: 2.0 i 2: 2.0 i-L/2.5 i-L 3: 2.0 i-S/2.5 i-S 4: 2.5 i-P 5: 2.5 i 6: 2.0 XT 7: 2.5 i-L 8: 2.5 i-S
8	A	Displays transmission type, restraints and GVWR class	A: Full-time AWD single range 6MT, manual belt + dual airbags, Class C

		(for KS)	B: Full-time AWD single range 6MT, manual belt + dual airbags + side airbags + curtain airbag, Class C C: Full-time AWD CVT, manual belt + dual airbags, Class C D: Full-time AWD CVT, manual belt + dual airbags + side airbags + curtain airbag, Class C
9	X	Check digit	0 — 9 & X
10	D	Model year	D: 2013MY
11	G	Factory location	G: FHI (Gunma)
12 — 17	002001	Serial number	002001 —

3. MODEL NUMBER PLATE

The model number plate indicates: the applied model, the option code, the trim code, the engine type, the transmission type, and the exterior color code. This information is helpful when placing orders for parts.

SJ5AL2A

Digits	Code	Meaning	Details
1	S	Series	S: Forester
2	J	Body type	J: Wagon
3	5	Total engine displacement Drive system	5: 2.0 L AWD non-turbo (FB) 9: 2.5 L AWD non-turbo (FB) D: 2.0 L AWD diesel turbo G: 2.0 L AWD DIT turbo
4	A	Model year	A: 2013MY
5	L	Destination	K: RHD (right handle model) L: LHD (left handle model)
6	2	Grade	1: 2.0 i (for Italian police) 2: 2.0 i/2.5 i 3: 2.0 i (for China) 7: 2.0 i-L/2.5 i-L 8: 2.0 i-L/2.5 i-L (for China) A: 2.5 i-P (for China) B: 2.0 i-S/2.5 i-S C: 2.0 i-S/2.5 i-S (for China) F: 2.5 i-L EyeSight K: 2.0 XT L: 2.0 XT (for China) R: 2.0 XT EyeSight U: 2.0 D V: 2.0 D-L

			W: 2.0 D-S
7	A	Transmission, fuel feed system	8: DOHC turbo CVT A: DOHC non-turbo 6MT C: DOHC non-turbo CVT Z: DOHC diesel turbo 6MT

The engine and transmission type are as follows.

• **Engine**

EE20ZKD5LE

Digits	Code	Meaning	Details
1 and 2	EE	Engine type symbol	EE: Diesel
3 and 4	20	Displacement	20: 2.0 L
5	Z	Fuel feed device	Z: CDI turbo
6	K	Exhaust regulations	K: Euro 5
7	D	Mounted transmission	D: 6MT
8 – 10	5LE	Detailed specifications	Used when ordering parts. For details, refer to the parts catalog.

FA20EHZHZE

Digits	Code	Meaning	Details
1 and 2	FA	Engine type symbol	FA: 4 cylinder gasoline FB: 4 cylinder gasoline
3 and 4	20	Displacement	20: 2.0 L 25: 2.5 L
5	E	Valve train/fuel supply system/steering	A: DOHC non-turbo MFI (RH) B: DOHC non-turbo MFI (LH) E: DOHC DIT (RH) F: DOHC DIT (LH) Z: LPG (LH)
6	H	Exhaust regulations	H: Europe (Euro 5) J: General (Euro 4) M: Beijing (country 5)
7	Z	Intake/exhaust system	Y: Intake AVCS, TGV, EGR Z: Intake AVCS, exhaust AVCS, TGV, EGR
8	H	Mounted transmission	B: 6MT H: CVT
9 and	ZE	Detailed specifications	Used when ordering parts. For details,

10

refer to the parts catalog.

● **Transmission**

(1) **MT**

TY751VDZDA

Digits	Code	Meaning	Details
1	T	Transmission	T: Transmission
2	Y	Transmission system	Y: Full-time AWD MT center differential
3 and 4	75	Distance between gear center	75: Between main shaft and drive pinion
5	1	Classification	1: 6MT
6	V	Transmission specifications	S: Full-time AWD single range 6MT with viscous coupling center differential (with Auto Start Stop) V: Full-time AWD single range 6MT with viscous coupling center differential (without Auto Start Stop)
7	D	Mounted engine	1: 2.0 L Diesel turbo D: 2.0 L DOHC non-turbo
8 – 10	ZDA	Detailed specifications	Used when ordering parts. For details, refer to the parts catalog.

(2) **CVT**

TR580GDZBA

Digits	Code	Meaning	Details
1	T	Transmission	T: Transmission
2	R	Transmission type	R: Full-time AWD CVT
3 and 4	58	Distance between pulley centers	58: Between pulley centers 69: Between pulley centers
5	0	Series	0: CVT
6	G	Transmission specifications	G: Without Auto Start Stop, with CVTF cooler (with warmer feature), without air cooler R: With Auto Start Stop, with CVTF cooler (with warmer feature), with air cooler S: Without Auto Start Stop, with CVTF cooler (with warmer feature), with air cooler
7	D	Mounted engine	B: 2.0 L DOHC turbo D: 2.0 L DOHC non-turbo H: 2.5 L DOHC non-turbo
8 – 10	ZBA	Detailed specifications	Used when ordering parts. For details, refer to the parts catalog.

harman/kardon audio + high grade audio	-	-	-	-	-	-	-	-	-	-	-	○	-	○
harman/kardon audio + navigation	-	-	-	-	-	-	-	○	-	-	-	-	○	-
Keyless access with push button start	-	-	○	-	-	-	-	○	○	○	-	-	○	-
Power rear gate	-	○	-	-	-	-	-	○	○	○	○	○	○	○
Side & curtain airbags	○	○	○	○	○	○	○	○	○	○	○	○	○	○
Without audio	-	-	-	-	-	-	-	-	-	-	-	-	-	-

OP code	X	Y	Z
Leather seats and leather door trim center decoration	-	-	○
Power seat	-	○	○
Navigation system	-	-	-
harman/kardon audio + high grade audio	-	-	-
harman/kardon audio + navigation	-	-	-
Keyless access with push button start	-	-	-
Power rear gate	-	-	○
Side & curtain airbags	-	○	○
Without audio	-	○	-

OP code 6, 7, 8 and 9 are codes for special edition.