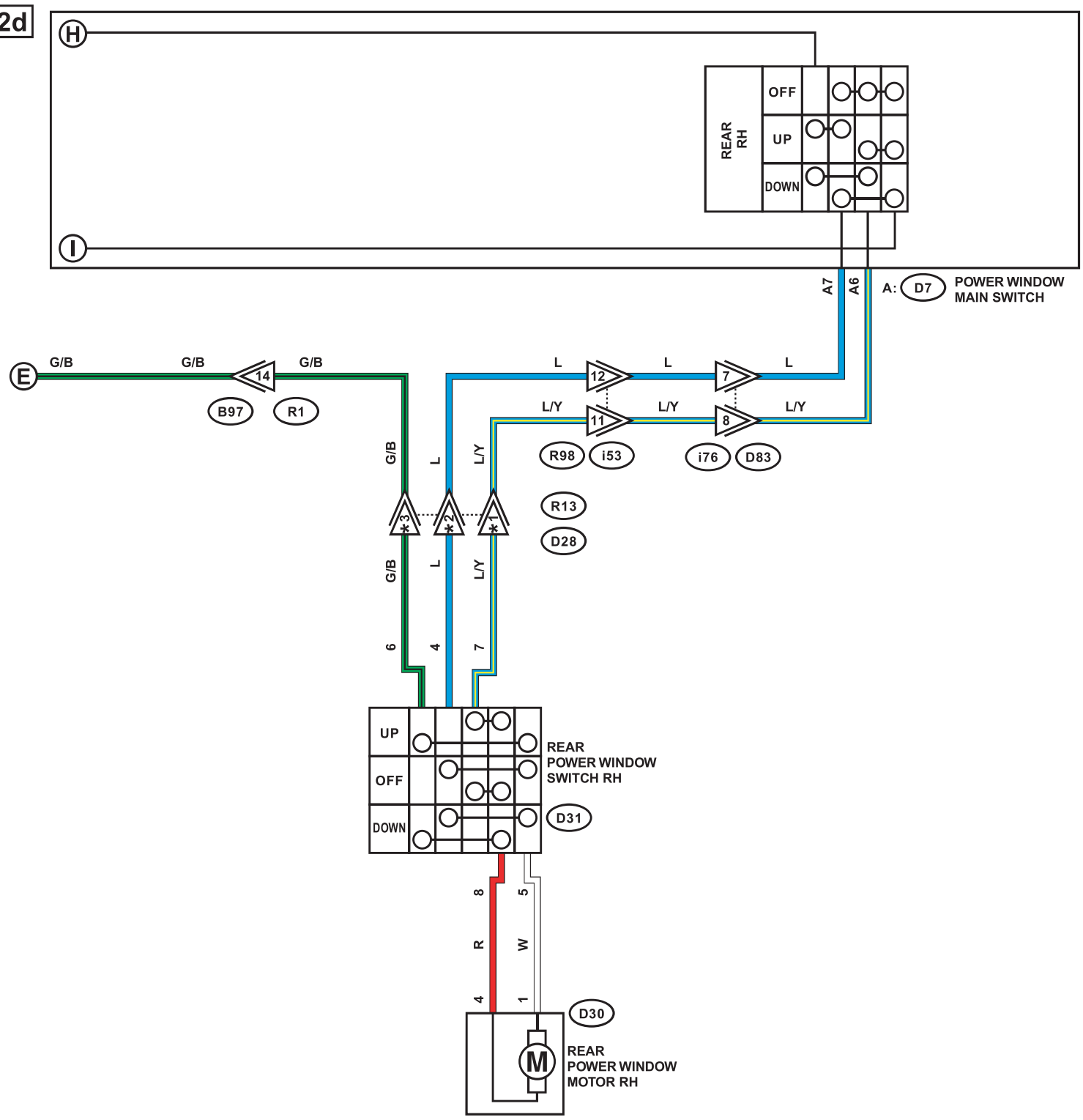


2d

2d



- *1 : MODEL WITH STANDARD AUDIO : 6
MODEL WITH HIGH GRADE AUDIO : 8
- *2 : MODEL WITH STANDARD AUDIO : 7
MODEL WITH HIGH GRADE AUDIO : 9
- *3 : MODEL WITH STANDARD AUDIO : 8
MODEL WITH HIGH GRADE AUDIO : 10