

### ■ Key lock-in prevention function (except models with double locking system)

This function prevents the doors from being locked under the following conditions.

- The key is still in the ignition switch (models without “keyless access with push-button start system”)
- The ignition switch is in the “ON” position (models with “keyless access with push-button start system”)

This function’s operational/non-operational setting can be changed by a SUBARU dealer. We recommend that you contact a SUBARU dealer for details.

#### NOTE

**When leaving the vehicle, make sure that you are holding the key before locking the doors.**

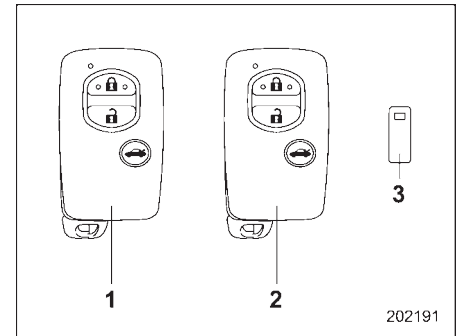
### ▼ Behavior with key lock-in prevention function operational

With the driver’s door open, the doors are automatically kept unlocked even if the front side of the power door locking switch is pressed.

### ▼ Behavior with key lock-in prevention function non-operational

- If the lock lever is turned to the front (“LOCK”) position with the driver’s door open and the driver’s door is then closed, the driver’s door is locked.
- If the spare key is used to lock the driver’s door from the outside of the vehicle, the door is locked.

### Keyless access with push-button start system (if equipped)



- 1) Access key (main)
- 2) Access key (sub)
- 3) Key number plate

The vehicle has two or three access keys and a key number plate. For details about the key number plate, refer to “Key number plate” 2-2.

The keyless access with push-button start system allows you to perform the following functions when you are carrying the access key.

- Locking and unlocking of the doors and unlocking the trunk

– CONTINUED –

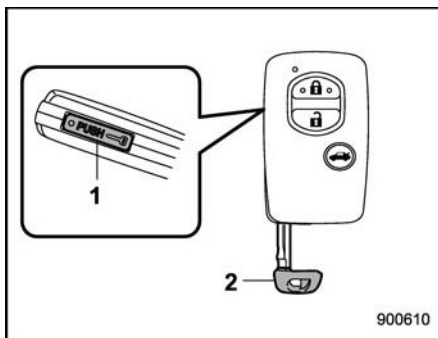
- Starting and stopping the engine

Locking and unlocking by the remote keyless entry system can also be controlled with the buttons on the access key. For the engine starting procedure, refer to "Starting and stopping engine (models with push-button start system)" 7-9.

A mechanical key is attached to each access key. The mechanical key is used for the following operations.

- Locking and unlocking the driver's door
- Locking and unlocking the glove box (for some models)

You cannot unlock the glove box without using the mechanical key. You can keep the glove box locked when you leave your vehicle and the access key (with the mechanical key removed) at a parking facility.



- 1) Release button
- 2) Mechanical key

While pressing the release button of the access key, take out the mechanical key.

## ■ Safety precautions

### ⚠ WARNING

If you wear an implanted pacemaker or an implanted defibrillator, stay at least 22 cm (8.7 in) away from the transmitting antennas installed on the vehicle.

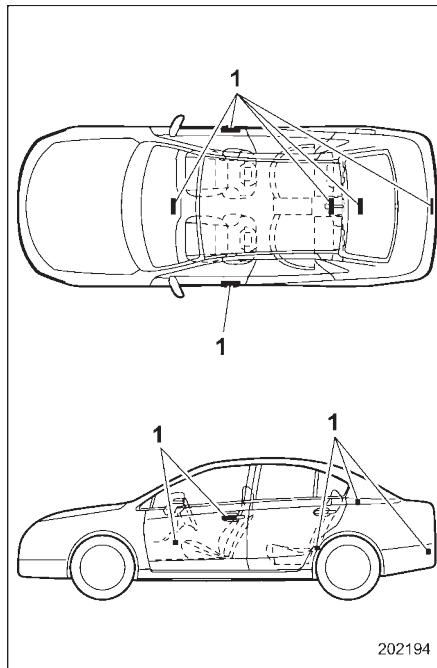
The radio waves from the transmitting antennas on the vehicle could adversely affect the operation of implanted pacemakers and implanted defibrillators.

If you wear electric medical equipment other than an implanted pacemaker or an implanted defibrillator, before using the keyless access with push-button start system, refer to "Radio waves used for the keyless access with push-button start system" mentioned later, and contact the electric medical equipment manufacturer for more information. The radio waves from the transmitting antennas on the vehicle could adversely affect the operation of the electric medical equipment.

"Radio waves used for the keyless access with push-button start system"

- The keyless access with push-button start system uses radio waves of the following frequency\* in addition to the radio waves used for the remote keyless entry system. The radio waves are periodically output from the antennas installed on the vehicle as shown in the following illustrations.

\* Radio frequency: 134.2 kHz



1) Antenna

### ⚠ CAUTION

- Never leave or store the access key inside the vehicle (e.g., on the instrumental panel, inside the glove box, on the seat, in the door pocket or on the rear shelf) or within 2 m (6.6 ft) around the vehicle (e.g., in the garage). The access key may be locked inside the vehicle, or the battery may discharge rapidly. Note that the push-button ignition switch may not turn on in some cases depending on the location of the access key.
- The access key contains electronic components. Observe the following precautions to prevent malfunctions.
  - Although you can replace the battery of the access key yourself, it is recommended that the battery be replaced by a SUBARU dealer to avoid the risk of damage at the time of replacement.
  - Do not get the access key wet. If the access key gets wet, wipe it off immediately and let it dry completely.

– CONTINUED –

- Do not allow strong impacts to the access key.
- Keep the access key away from magnetic sources.
- Never leave the access key in direct sunlight or anywhere that may become hot, such as on the dashboard. It may damage the battery or cause circuit malfunctions.
- Do not wash the access key in an ultrasonic washer.
- Do not leave the access key in humid or dusty locations. Doing so may cause malfunctions.
- Do not leave the access key near personal computers or home electric appliances. Doing so may cause the access key to malfunction, resulting in battery discharge.
- If the access key is dropped, the integrated mechanical key inside may become loose. Be careful not to lose the mechanical key.
- When you carry the access key on an airplane, do not press the button of the access key while in the airplane. When any button of

the access key is pressed, radio waves are sent and may affect the operation of the airplane. When you carry the access key in a bag on an airplane, take measures to prevent the buttons of the access key from being pressed.

**NOTE**

- The operational/non-operational setting for the keyless access function can be changed. For the setting procedure, refer to “Disabling keyless access function” ¶2-15. The setting can also be changed by a SUBARU dealer. For more details, we recommend that you contact a SUBARU dealer.
- For detailed information about the operation method for the push-button ignition switch while the keyless access function is switched to the non-operational mode, refer to “Access key – if access key does not operate properly” ¶9-16.
- The keyless access with push-button start system uses weak radio waves. The status of the access key and environmental conditions may interfere with the communication between the access key and the vehicle under the following conditions, and it

may not be possible to lock or unlock the doors or start the engine.

- When operating near a facility where strong radio waves are transmitted, such as a broadcast station and power transmission lines
- When products that transmit radio waves are used, such as an access key or a remote transmitter key of another vehicle
- When the access key is placed near wireless communication equipment such as a cell phone
- When the access key is placed near a metallic object
- When metallic accessories are attached to the access key
- When carrying the access key with electronic appliances such as a laptop computer
- When the battery of the access key is discharged
- The access key is always communicating with the vehicle and is continuously using the battery. Although the life of the battery varies depending on the operating conditions, it is approximately 1 to 2 years. If the battery becomes fully discharged, replace it with a new one.
- If an access key is lost, it is recommended that the access key be

reregistered. For reregistration of an access key, we recommend that you contact a SUBARU dealer.

- For a spare access key, we recommend that you contact a SUBARU dealer.
- Up to 7 access keys can be registered for one vehicle.
- Carefully store the key number plate supplied with the access key. It is necessary for vehicle repair and additional registration of access keys.
- Do not leave the access key in the storage spaces inside the vehicle, such as the door pocket, dashboard and the rear shelf. Vibrations may damage the key or turn on the switch, possibly resulting in a lockout.
- After the vehicle battery is discharged or replaced, initialization of the steering lock system may be required to start the engine. In this case, perform the following procedure to initialize the steering lock.

(1) Turn the push-button ignition switch to the "OFF" position. For details, refer to "Switching power" 3-7.

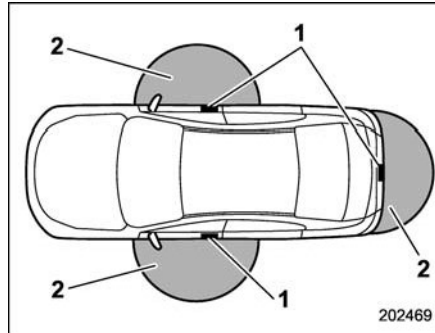
(2) Open and close the driver's door.

(3) Wait for approximately 10 seconds.

When the steering is locked, the initialization is completed.

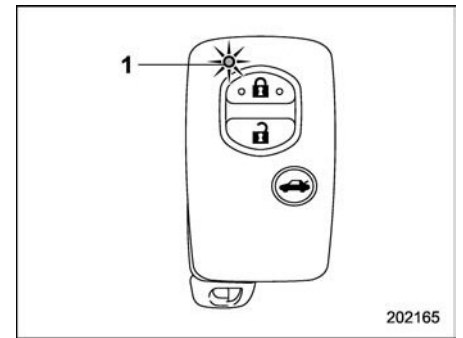
### ■ Locking and unlocking with "keyless access" entry function

#### ▼ Operating ranges



- 1) Antenna
- 2) Operating range

The operating ranges of the door locking/unlocking functions and trunk lid unlocking function are approximately 40 to 80 cm (16 to 32 in) from the respective door handles and the trunk ornament.



- 1) LED indicator

When the access key is within either of the operating ranges of the front doors, the LED indicator on the access key flashes. When the keyless access functions are disabled, the LED indicator does not flash unless a button on the access key is pressed.

#### ▼ Operating range tips

- Locking by using the keyless access function can be operated only by the door lock sensor in the operating range in which the access key is detected.
- Unlocking by using the keyless access function can be operated only by the door handle in the operating range in which the access key is detected.
- If the access key is placed too close to

– CONTINUED –

the vehicle body, the keyless access function may not operate properly. If it does not operate properly, repeat the operation from further away.

- If the access key is placed near the ground or in an elevated location from the ground, even if it is in the indicated operating range, the keyless access function may not operate properly.
- When the access key is within the operating range, it is possible for anyone, even someone who is not carrying the access key, to operate the keyless access function. Note that locking and unlocking can be operated only by the door handle, door lock sensor or trunk lid opener button in the operating range in which the access key is detected.
- It is not possible to lock the doors using the keyless access function when the access key is inside the vehicle. However, depending on the status of the access key and the environmental conditions, the access key may be locked inside the vehicle. Before locking, make sure that you have the access key.
- When the battery of the access key is discharged, or when operating it in a location with strong radio waves or noise (e.g., near a radio tower, power plant, broadcast station or an area where wireless equipment is used), or while talking

on a cell phone, the operating ranges may be reduced, or the keyless access function may not operate.

In such a case, perform the procedure described in "Locking and unlocking" 9-17.

- When an access key is in the operating range, if the door handle becomes wet due to exposure to a significant amount of water when the vehicle is washed or during heavy rain, the doors may be locked or unlocked.
- The keyless access function may not operate properly depending on the status of the access key and the radio wave conditions around the vehicle. In such a case, perform the procedure described in "Locking and unlocking" 9-17.

#### ▼ How to use keyless access functions

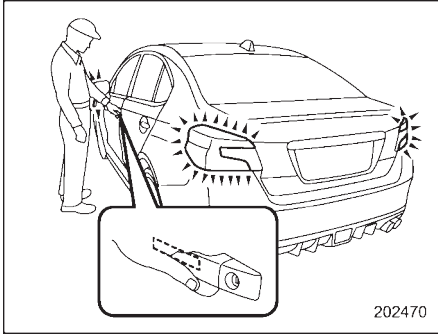
##### ▽ Keyless access function tips

- When you lock the doors using the keyless access function, turn the push-button ignition switch off. It is not possible to lock the doors using the keyless access function when the push-button ignition switch is on the "ACC" or "ON" position. Refer to "Switching power" 3-7.
- If the door handle is gripped or the door lock sensor is touched with a gloved hand, the door lock may not be operated.

- When performing the locking procedure too quickly, locking may not have been completed. After locking the doors, it is recommended to pull the REAR door handles to confirm that the doors have been locked.

- It is not possible to lock the doors when one of the doors is open. Close all of the doors and lock the doors.
- Within 3 seconds after locking the doors by using the keyless access function, it is not possible to unlock the doors by using the keyless access function.
- When locking, be sure to carry the access key to prevent locking the access key in the vehicle.
- The setting of the hazard warning flasher operation and the volume of the audible signal can be changed by your SUBARU dealer. We recommend that you contact your SUBARU dealer for details.
- The setting of the hazard warning flasher operation can also be changed by operating the multi function display. For details, refer to "Hazard warning flasher setting" 3-85.

▽ **Unlocking**



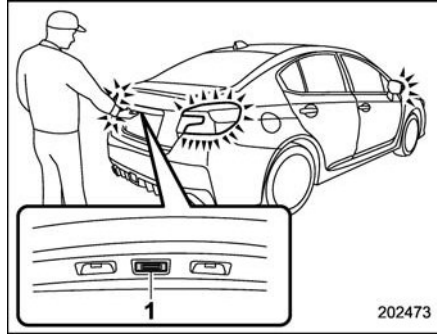
Carry the access key, and grip the door handle.

**Models without double locking system:**  
All doors will be unlocked. Also, the hazard warning flashers will flash twice.

- Models with double locking system:**
- When gripping the driver's door handle: Only the driver's door will be unlocked.
  - When gripping the front passenger's door handle: All doors will be unlocked.

Also, the hazard warning flashers will flash twice.

▽ **Opening trunk**

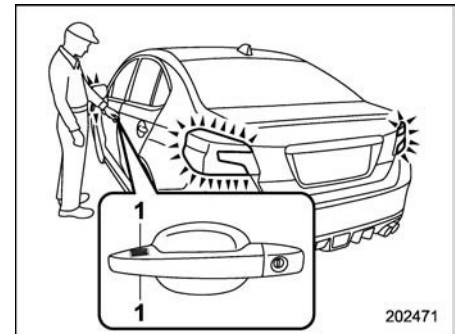


- 1) Trunk lid opener button

Carry the access key, and press the trunk lid opener button. Only the trunk lid will be unlocked and opened.

The hazard warning flashers will flash twice.

▽ **Locking**



- 1) Door lock sensor

Carry the access key, close all doors and the trunk lid, and touch the door lock sensor on the door handle. All doors will be locked. Also, the hazard warning flashers will flash once.

**NOTE**

After touching the door lock sensor to lock all of the doors, if you touch the door lock sensor once more to attempt the lock operation without first unlocking the doors, nothing will happen, even if the door lock sensor is touched. In this case, perform the unlocking operation once first. You can then touch the door lock sensor to lock the doors.

**▼ Door unlock selection function**

The door unlock selection function makes it possible to unlock the driver's door without unlocking any other doors.

The operational/non-operational setting for this function can be changed by a SUBARU dealer.

**Operational:** Only the driver's door will be unlocked.

**Non-operational:** All doors will be unlocked.

For the factory setting (default setting), refer to "Function settings" 26.

For further details, we recommend that you consult a SUBARU dealer.

**▼ Power saving function**

The keyless access function will be disabled in the following cases to protect

the access key battery and the vehicle battery.

**Case 1:** When the keyless access function and the remote keyless entry system have not been used for 2 weeks or longer while all doors are locked

**Case 2:** When the access key has been left in the operating range for 10 minutes or longer while all doors are locked

**▽ Recovery from power saving mode**

When one of the following is operated, the keyless access function will be recovered.

**Case 1:**

- Unlock the doors by operating any procedure other than gripping the front passenger's door handle
- Lock or unlock the doors
- Open a door and then close it

**Case 2:**

- Unlock the doors by gripping the door handle
- Lock the doors by touching the door lock sensor
- Lock or unlock the doors by using the remote keyless entry system
- Lock or unlock the doors by using the power door locking switch
- Open either of the front doors

**▼ Automatic locking (except models with double locking system)**

If any of the doors was not opened within 30 seconds after unlocking, they will be automatically locked again.

The function's operational/non-operational setting and the time until automatic locking takes place can be changed by a SUBARU dealer. For more details, we recommend that you contact a SUBARU dealer.

The setting and the time can also be changed by operating the multi function display. For details, refer to "Security Relocking" 3-86.

**■ Warning chimes and warning indicator**

The keyless access with push-button start system sounds a warning chime and flashes the access key warning indicator on the combination meter in order to minimize improper operations and help protect your vehicle from theft.

For details, refer to "Warning chimes and warning indicator of the keyless access with push-button start system" 3-28.