

READ DIAGNOSTIC TROUBLE CODE

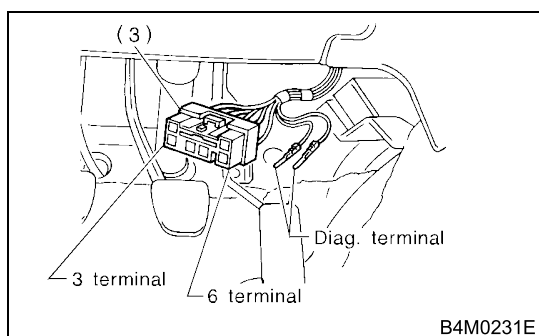
ABS (DIAGNOSTICS)

7. Read Diagnostic Trouble Code

A: OPERATION

1. WITHOUT SUBARU SELECT MONITOR

1) Take out diagnosis connector from side of driver's seat heater unit.

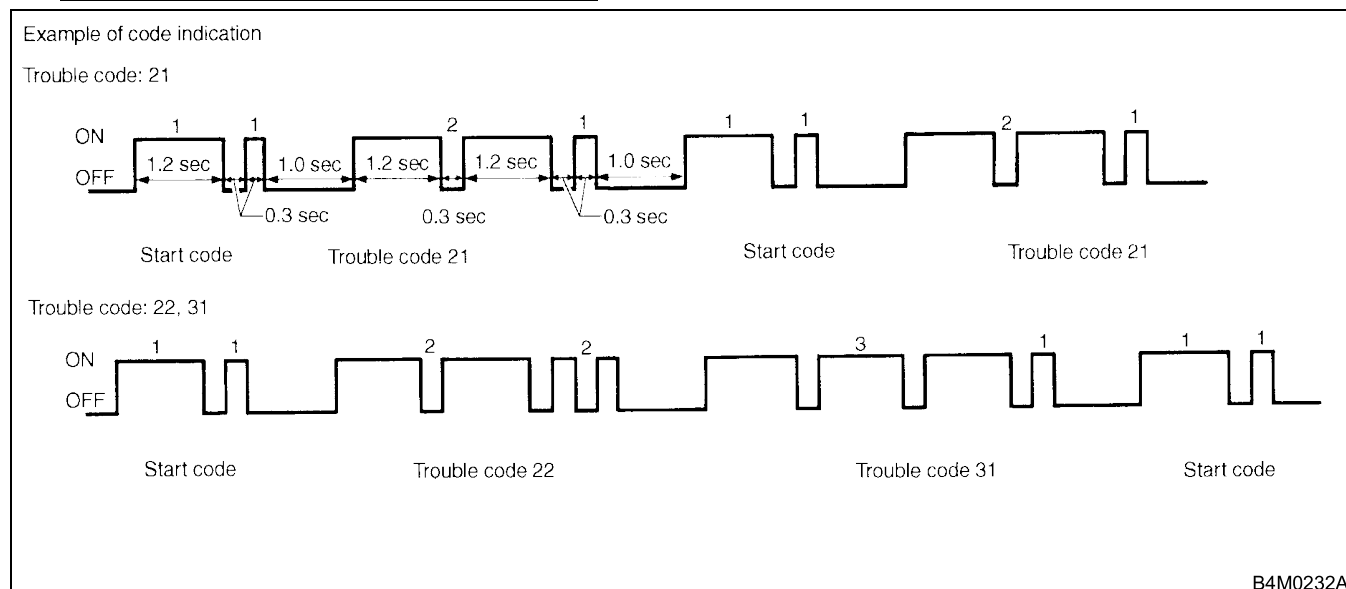


- 2) Turn ignition switch OFF.
- 3) Connect diagnosis connector terminal 6 to diagnosis terminal.
- 4) Turn ignition switch ON.
- 5) ABS warning light is set in the diagnostic mode and blinks to identify trouble code.
- 6) After the start code (11) is shown, the trouble codes will be shown in order of the last information first.

These repeat for a maximum of 3 minutes.

NOTE:

- When there are no trouble codes in memory, only the start code (11) is shown.
- When on-board diagnosis of the ABS control module detects a problem, the information (up to a maximum of three) will be stored in the EEPROM as a trouble code. When there are more than three, the most recent three will be stored. (Stored codes will stay in memory until they are cleared.)



2. WITH SUBARU SELECT MONITOR

Refer to SUBARU SELECT MONITOR for information about how to obtain and understand trouble codes.
<Ref. to ABS-18, Subaru Select Monitor.>

8. Inspection Mode

A: OPERATION

Reproduce the condition under which the problem has occurred as much as possible.

Drive the vehicle at a speed more than 40 km/h (25 MPH) for at least one minute.

CLEAR MEMORY MODE

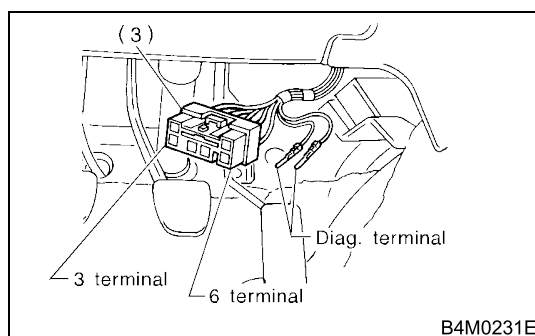
ABS (DIAGNOSTICS)

9. Clear Memory Mode

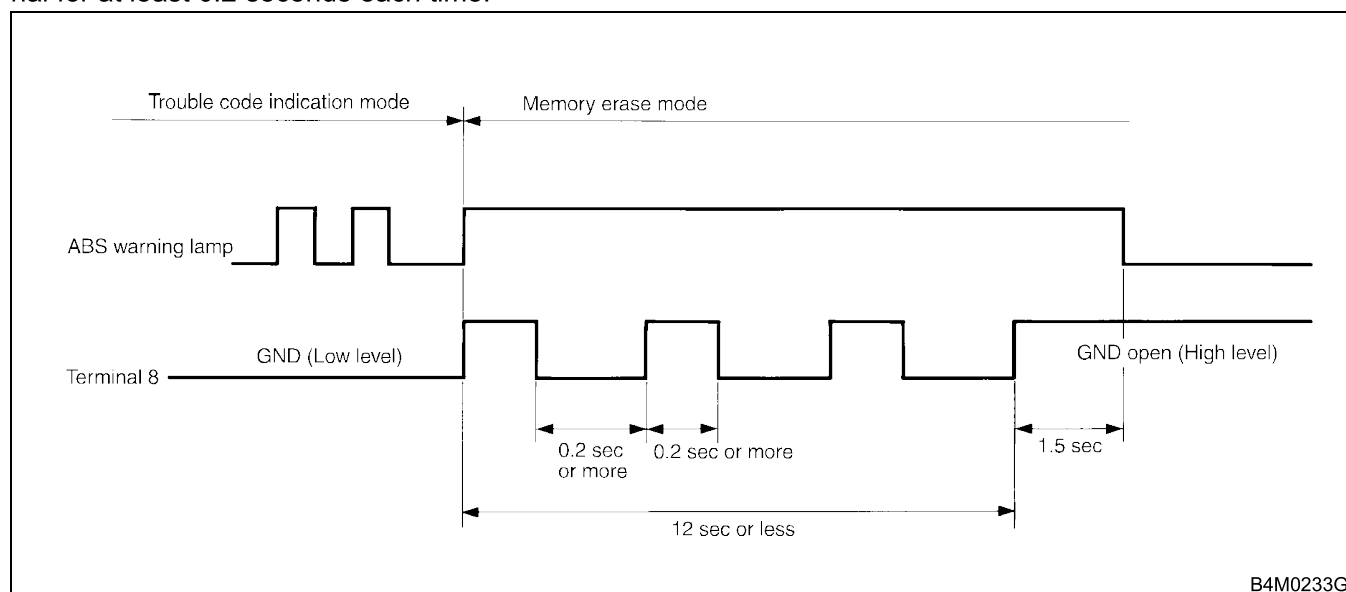
A: OPERATION

1. WITHOUT SUBARU SELECT MONITOR

1) After calling up a trouble code, disconnect diagnosis connector terminal 6 from diagnosis terminal.



2) Repeat 3 times within approx. 12 seconds; connecting and disconnecting terminal 6 and diagnosis terminal for at least 0.2 seconds each time.



NOTE:

After diagnostics is completed, make sure to clear memory. Make sure only start code (11) is shown after memory is cleared.

2. WITH SUBARU SELECT MONITOR

Refer to SUBARU SELECT MONITOR for information about how to clear trouble codes. <Ref. to ABS-18, Subaru Select Monitor.>