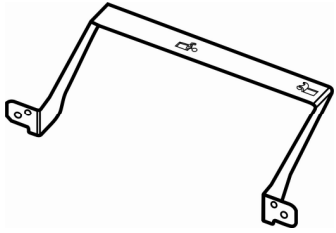
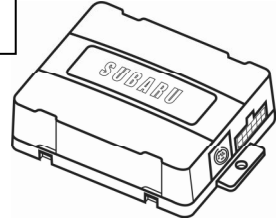
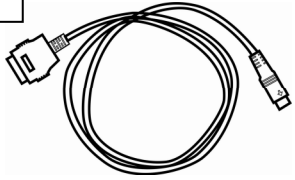
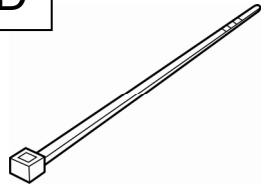
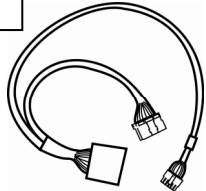

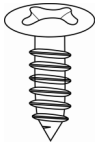



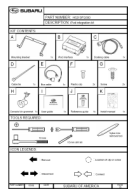
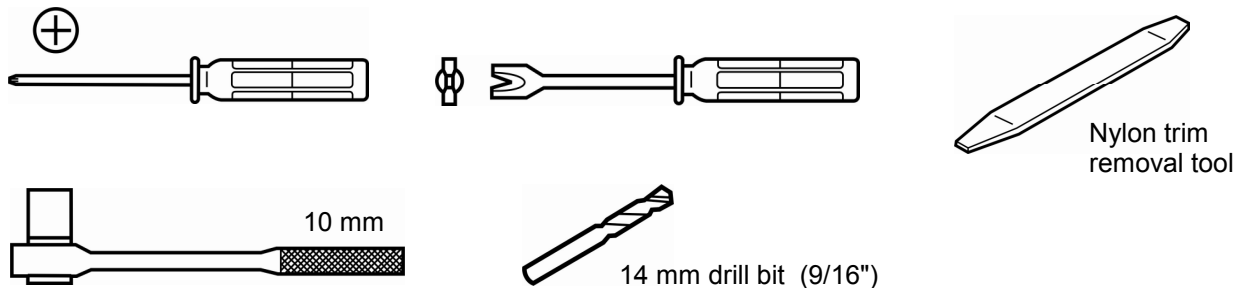


KIT CONTENTS:

<p>A</p>  <p>Mounting bracket 1x</p>	<p>B</p>  <p>iPod interface 1x</p>	<p>C</p>  <p>iPod dock cable 1x</p>	
<p>D</p>  <p>Cable tie 4x</p>	<p>E</p>  <p>Bus cable 1x</p>	<p>F</p>  <p>Plastic clip 2x</p>	<p>G</p>  <p>Screw 2x</p>
<p>H</p>  <p>Console bin grommet 1x</p>	<p>I</p>  <p>User guide 1x</p>	<p>J</p>  <p>Quick reference guide 1x</p>	<p>K</p>  <p>Install manual 1x</p>

TOOLS REQUIRED:



ICON LEGENDS:

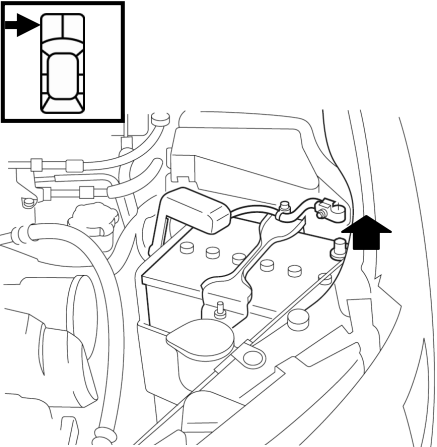


: Remove/Disconnect




: Location of clip or screw

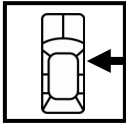
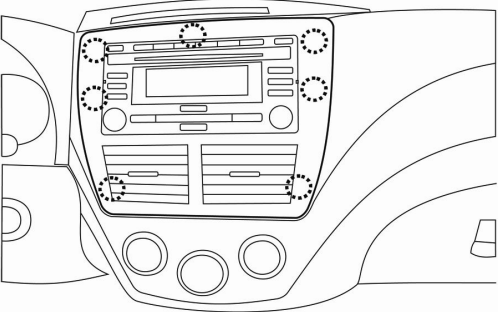
1



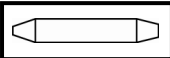
Note: Ignition should be off when disconnecting negative battery terminal.



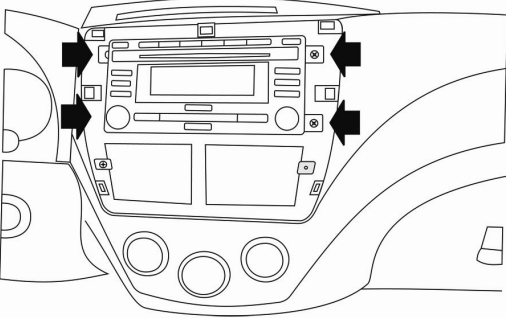
2

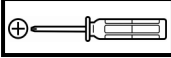
Starting from bottom, pry carefully along edges to remove trim panel.



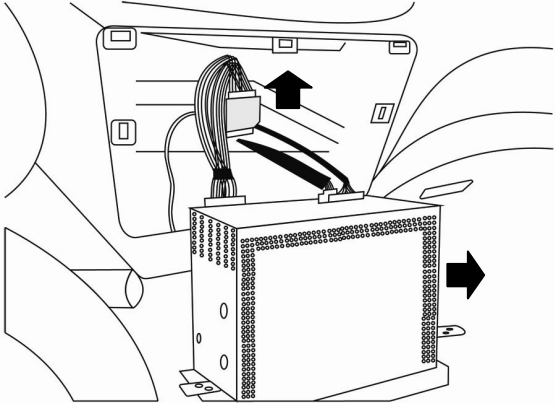
3



Remove 4 radio screws.

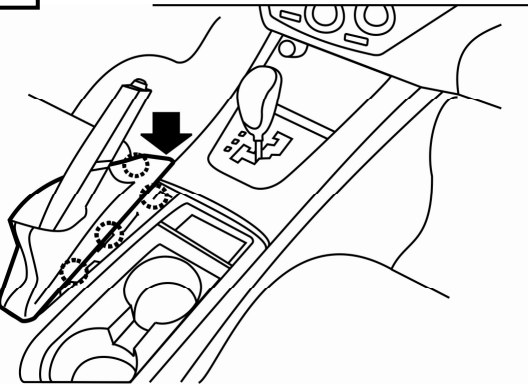


4

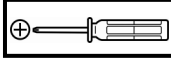


Carefully disconnect wire harnesses and remove radio.

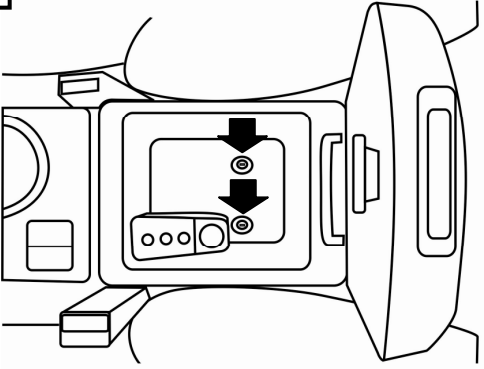
5



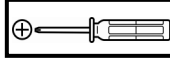
Carefully remove parking brake boot. Remove console screw.

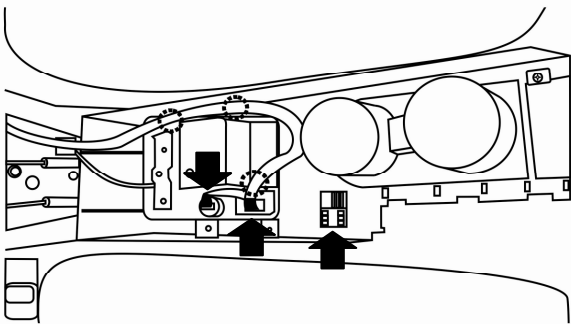


6

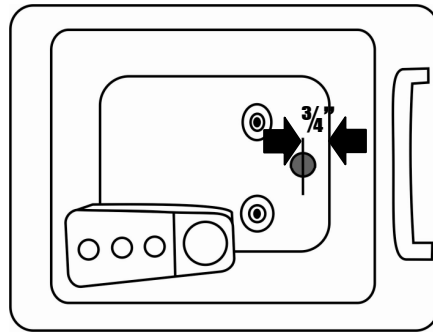


Remove 2 screws from console bin.

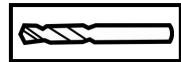
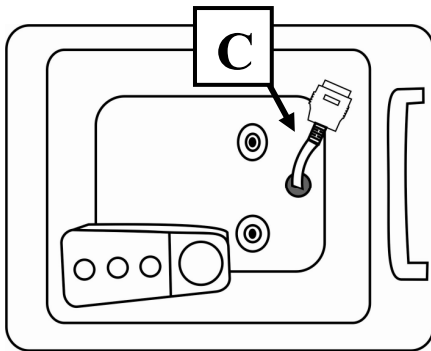


7


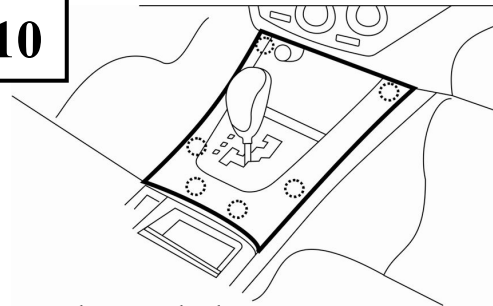
Tilt console back. Disconnect wire harness and remove console from vehicle.

8


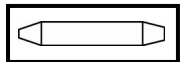
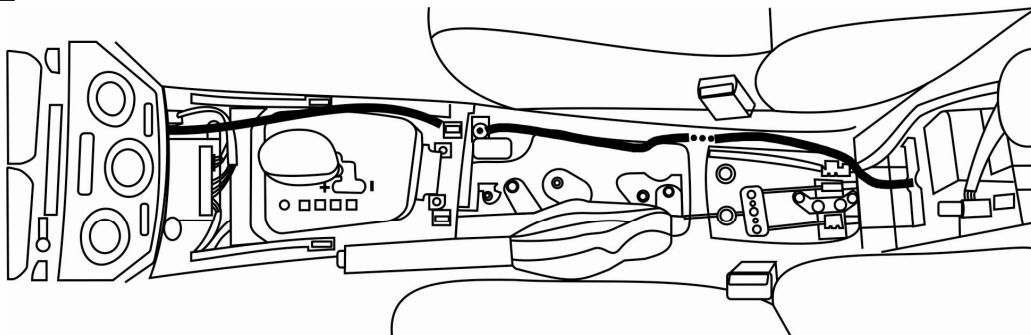
Using a 14 mm (9/16 inch) drill bit, drill a hole in console bin, about 19 mm (3/4 inch) from edge.


9


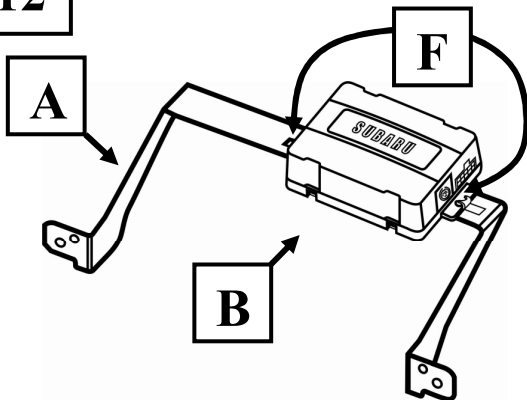
Feed dock cable (C) through hole and place console bin back in vehicle in upright position as shown in slide 7.

10


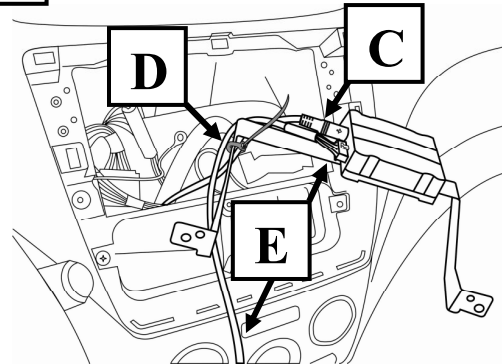
Pry gently around edges to remove trim panel. Note: Gear selector must be in "N" with parking brake set, ignition off and vehicle on level ground. For manual transmission vehicles, shift knob must be removed by unscrewing in a counter clockwise direction.


11


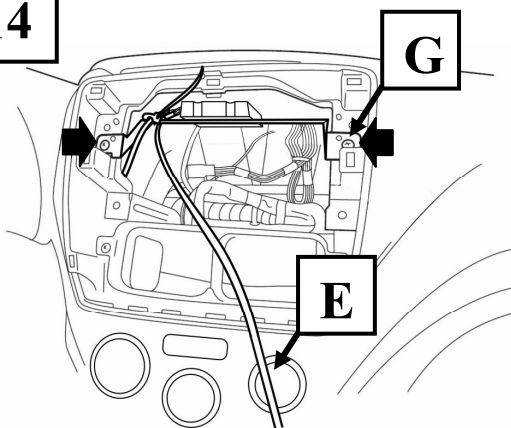
Route dock cable towards front of vehicle as shown. Dock cable should be routed behind HVAC controls and up to the radio opening.

12


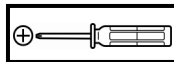
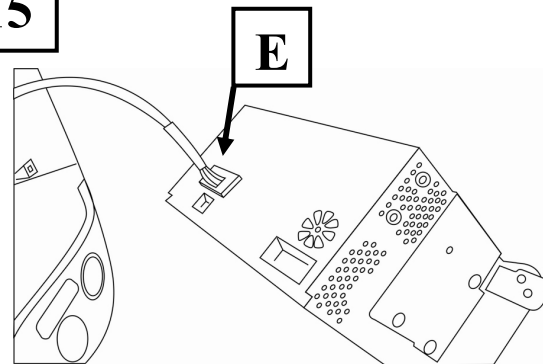
Attach module (B) to bracket (A) as shown. Insert plastic clips to (F) placing from the bottom up.

13


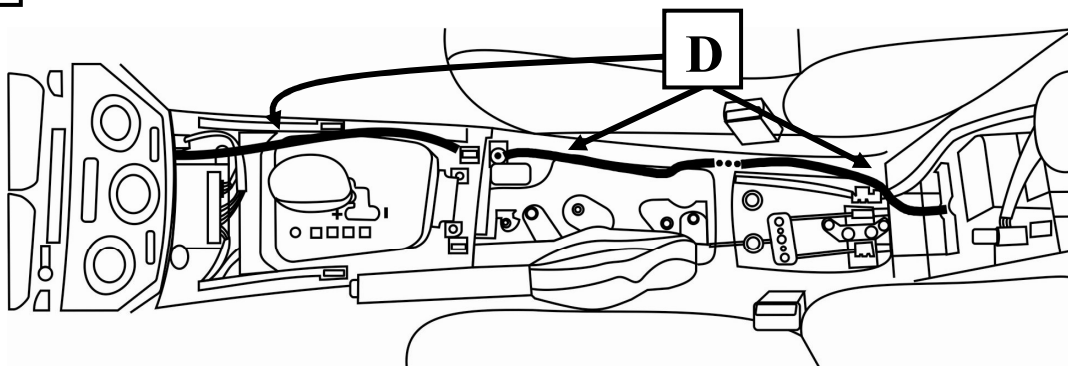
Connect dock cable (C) to module. Secure dock cable to bracket leg with cable tie (D). Connect bus cable (E) to module and route *behind* bracket as shown.

14


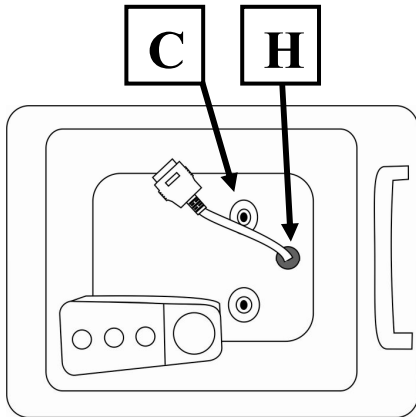
Use screws (G) to attach bracket/module assembly to vehicle as shown.


15


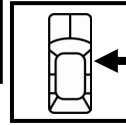
Connect bus cable (E) to radio. Use the "Y" harness to reconnect any factory harness occupying the bus connector, when applicable. Reseat all other connections removed in step 4 and reinstall radio.

16


Secure cable with cable ties (D). If necessary, bundle any excess cable in this area.

17

Lower the console back into position. Gently remove excess slack from dock cable (C). Secure into console bin with grommet (H).

18

Reassemble vehicle by following steps 1-7, 10 in reverse.

For operation, consult User manual.