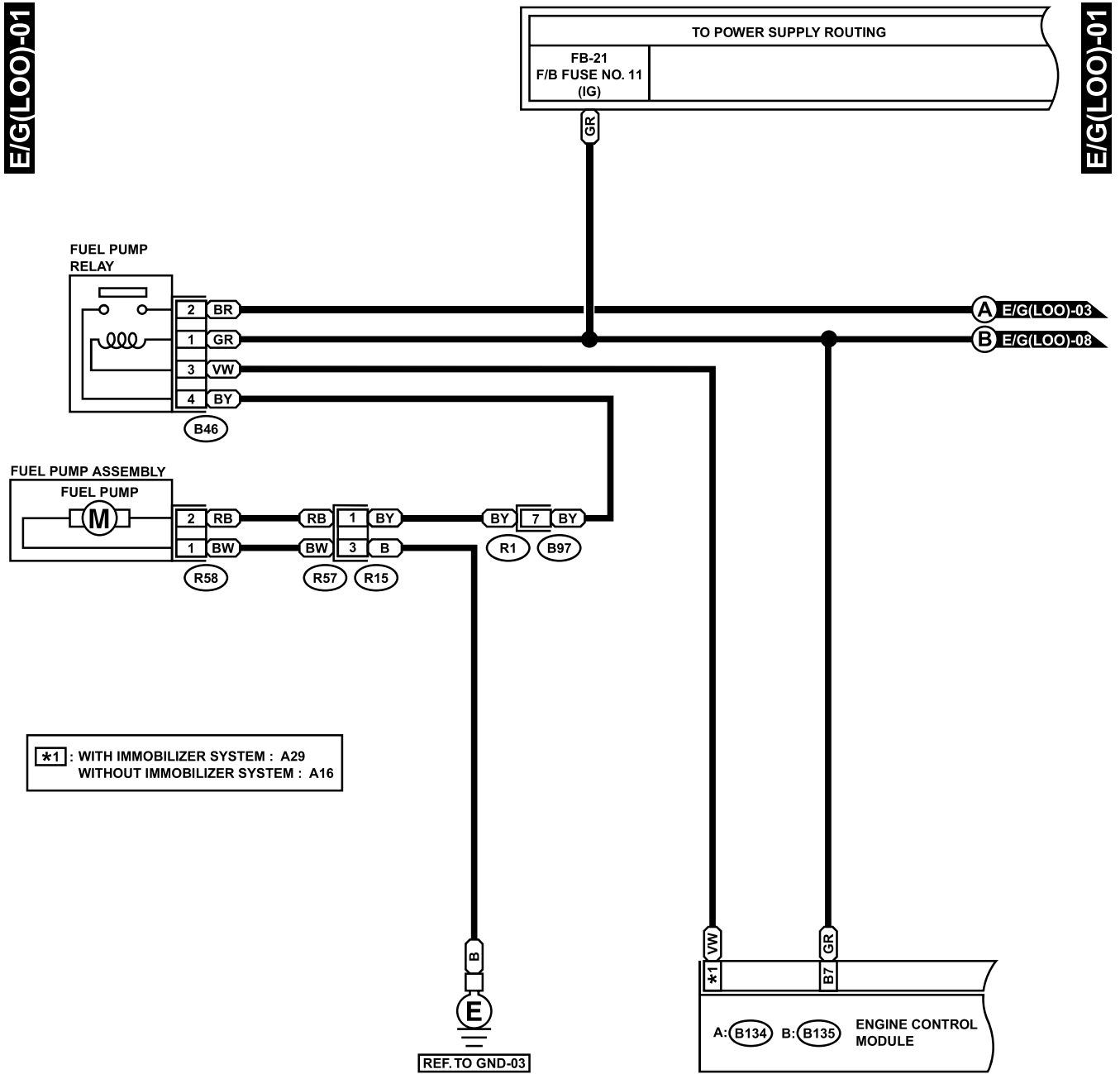


ENGINE ELECTRICAL SYSTEM

WIRING SYSTEM

1. LHD SOHC W/O OBD MODEL



B46 (GREEN)

| | |
|---|---|
| 1 | 2 |
| 3 | 4 |

R15 (BLACK)

| | |
|---|---|
| 1 | 2 |
| 3 | 4 |
| 5 | 6 |

R58

| | | |
|---|---|---|
| 1 | 2 | 3 |
| 4 | 5 | 6 |

B97

| | | | |
|---|---|---|---|
| 1 | 2 | 3 | 4 |
| 5 | 6 | 7 | 8 |

B: B135

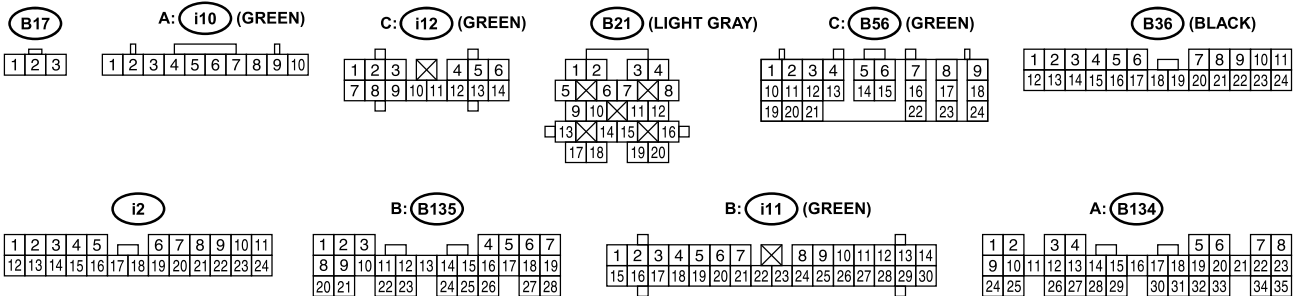
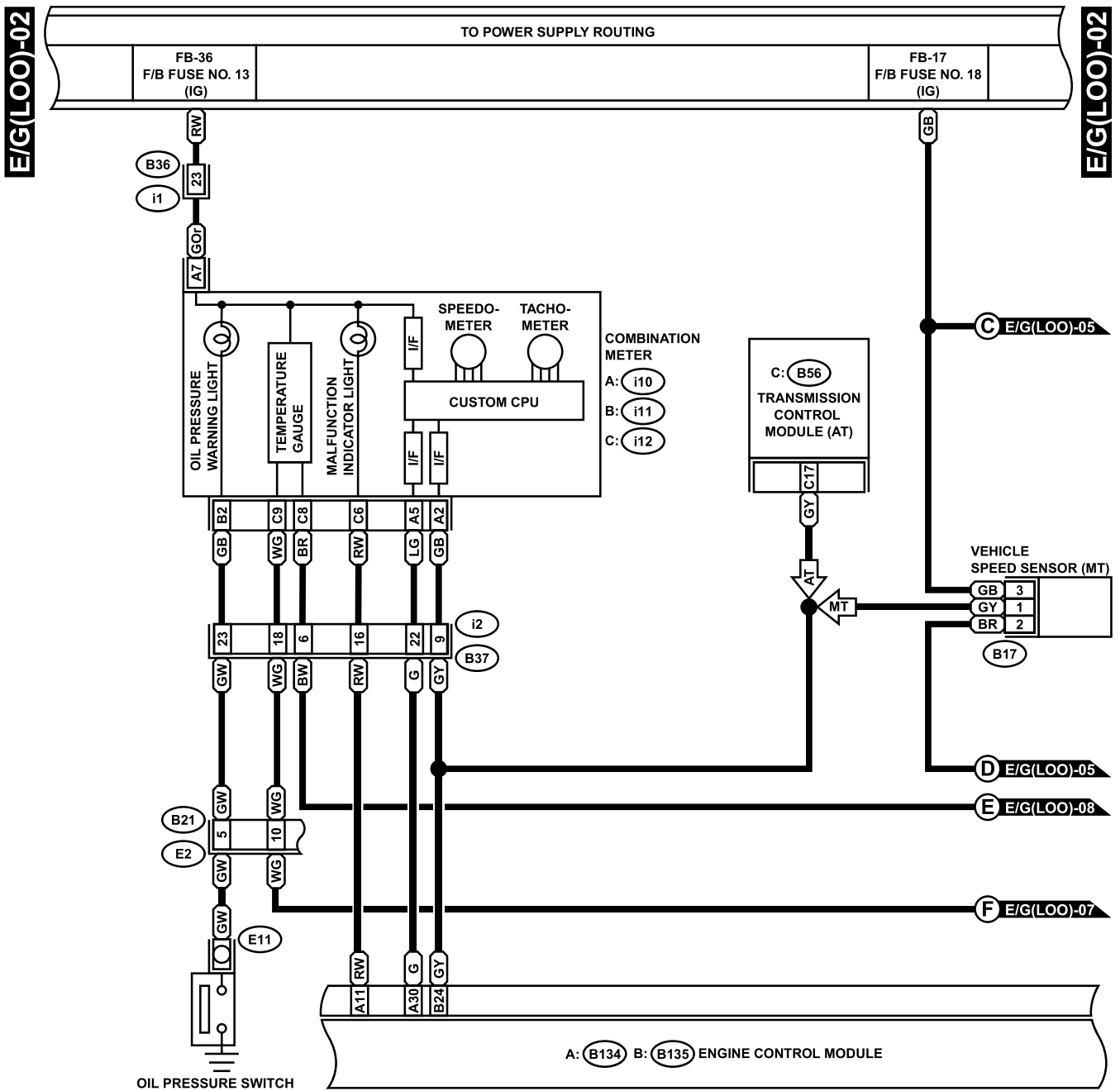
| | | | | | | | |
|----|----|----|----|----|----|----|----|
| 1 | 2 | 3 | | 4 | 5 | 6 | 7 |
| 8 | 9 | 10 | 11 | 12 | 13 | 14 | 15 |
| 16 | 17 | 18 | 19 | 20 | 21 | 22 | 23 |
| 24 | 25 | 26 | 27 | 28 | 29 | 30 | 31 |
| 32 | 33 | 34 | 35 | | | | |

A: B134

| | | | | | | | | |
|----|----|----|----|----|----|----|----|----|
| 1 | 2 | 3 | 4 | | 5 | 6 | 7 | 8 |
| 9 | 10 | 11 | 12 | 13 | 14 | 15 | 16 | 17 |
| 18 | 19 | 20 | 21 | 22 | 23 | 24 | 25 | 26 |
| 27 | 28 | 29 | 30 | 31 | 32 | 33 | 34 | 35 |

ENGINE ELECTRICAL SYSTEM

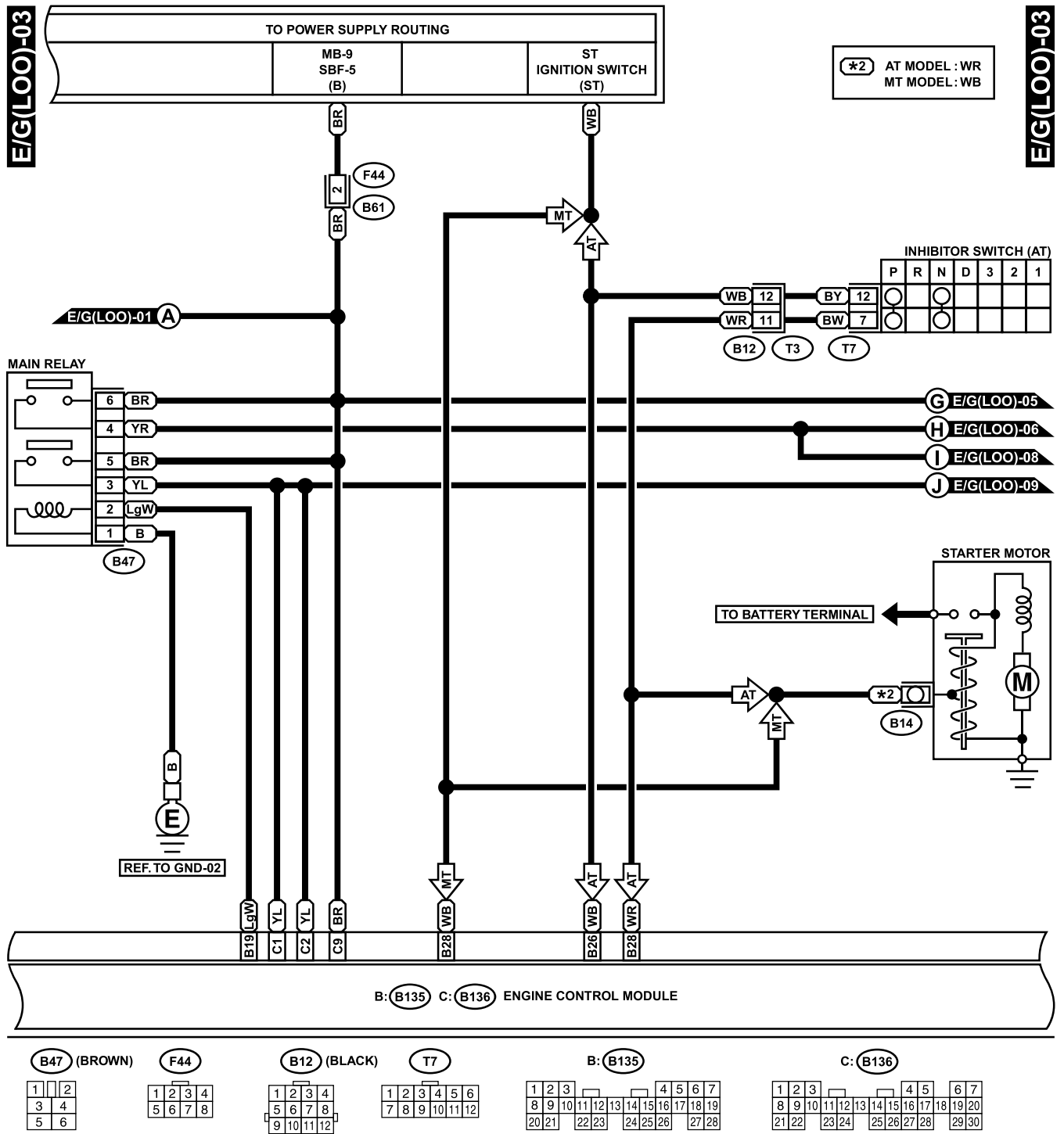
WIRING SYSTEM



GL10-20B

ENGINE ELECTRICAL SYSTEM

WIRING SYSTEM



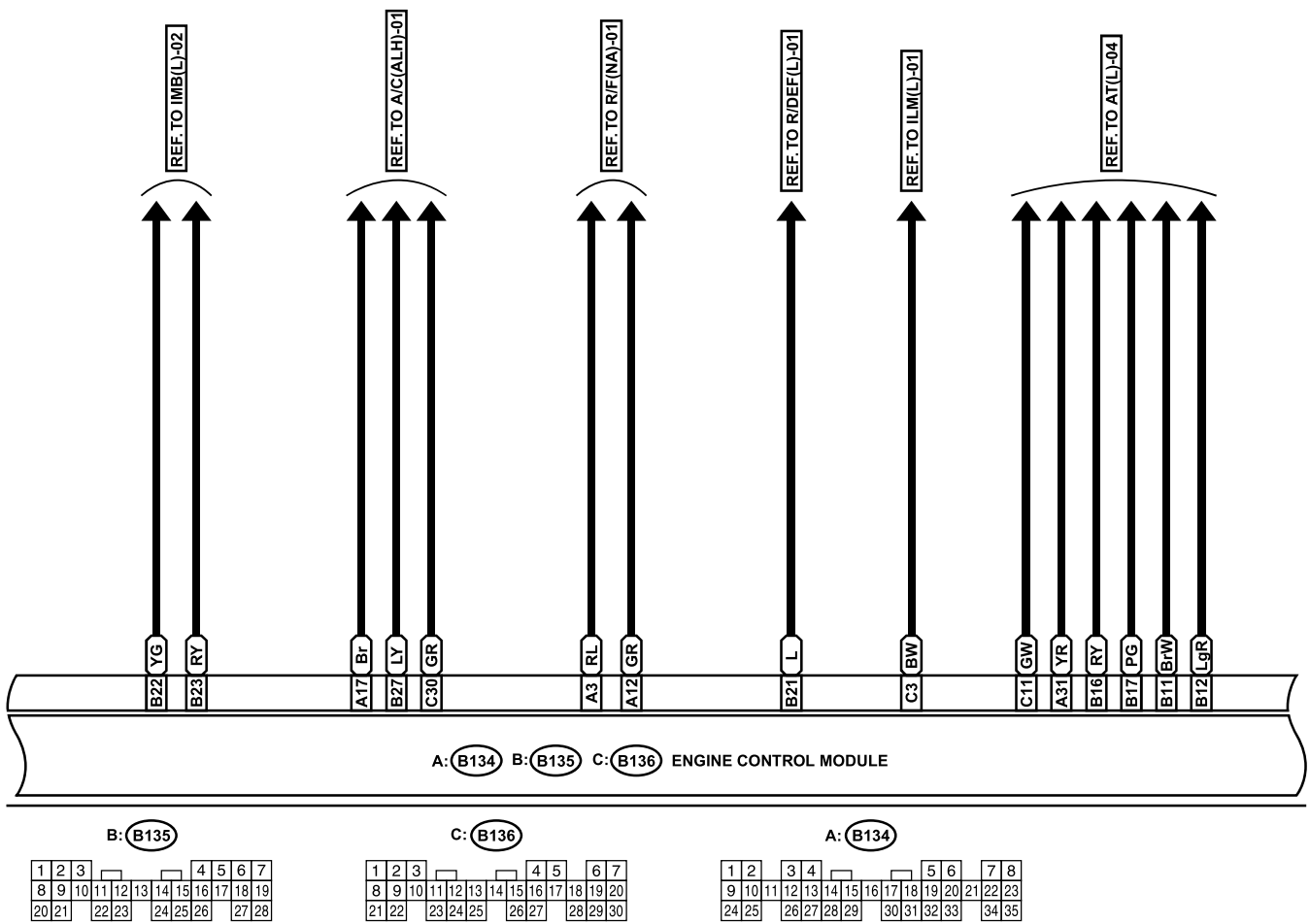
GL10-20C

ENGINE ELECTRICAL SYSTEM

WIRING SYSTEM

E/G(LOO)-04

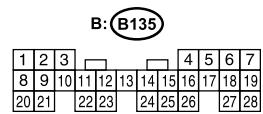
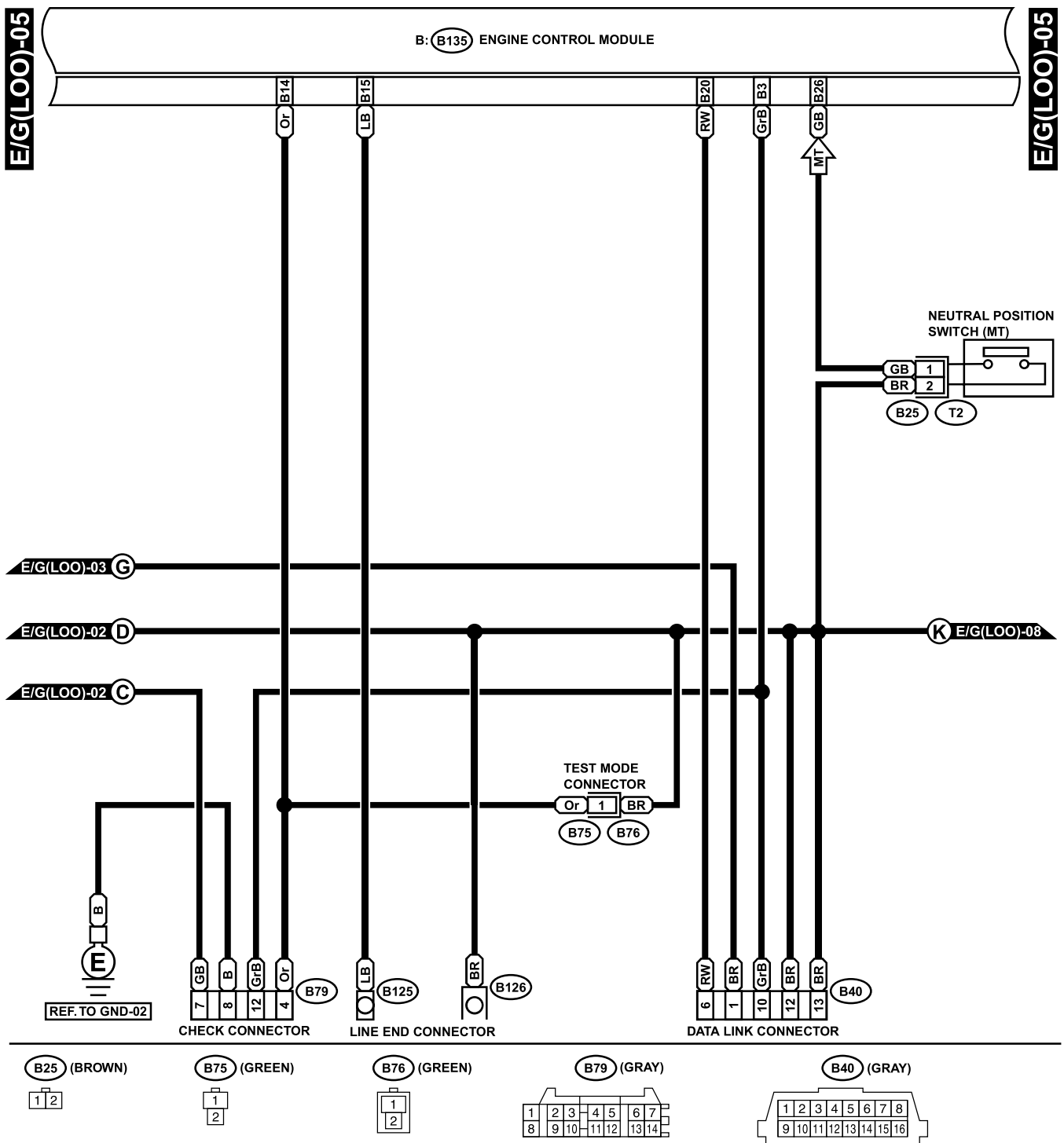
E/G(LOO)-04



GL10-20D

ENGINE ELECTRICAL SYSTEM

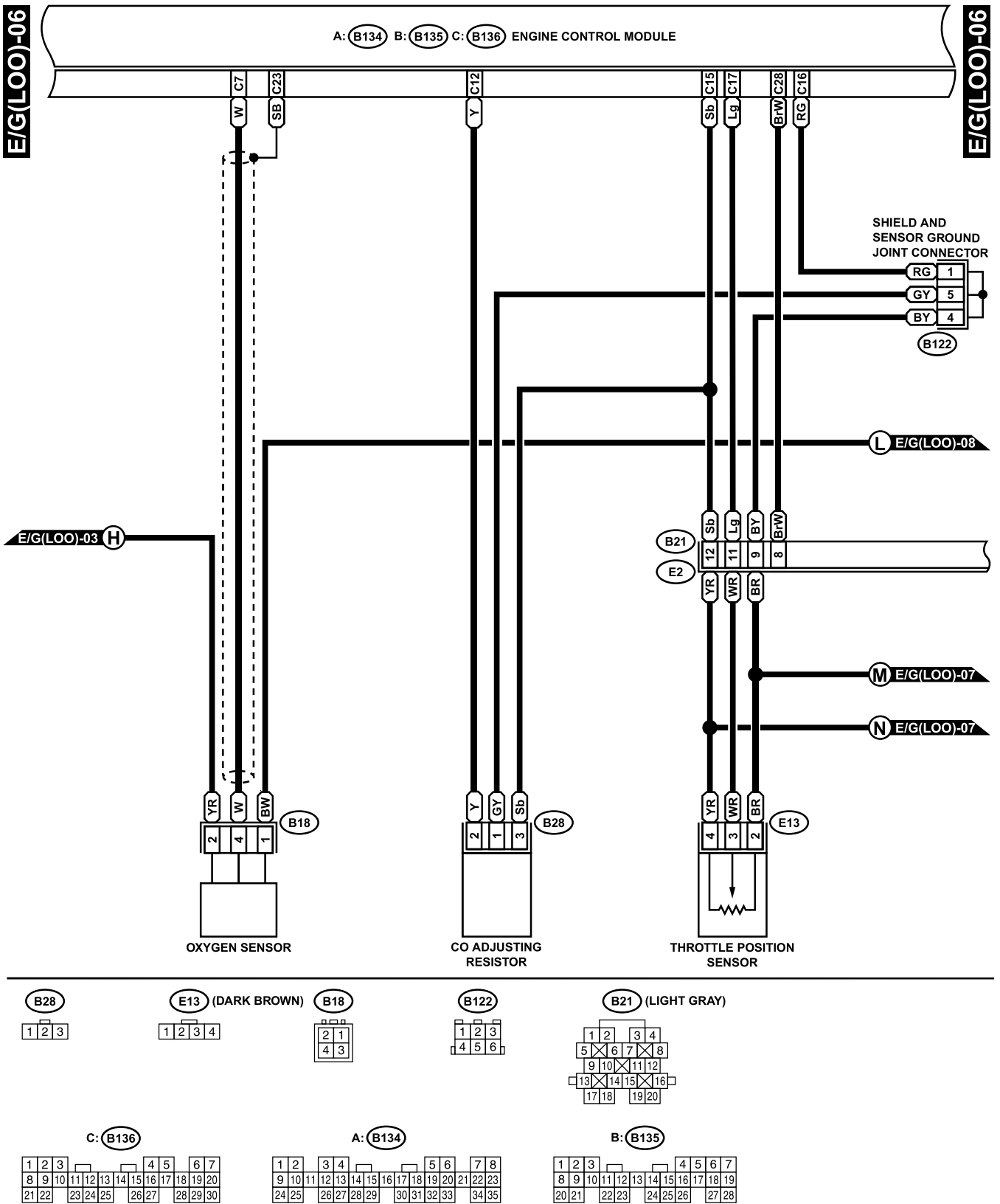
WIRING SYSTEM



GL10-20E

ENGINE ELECTRICAL SYSTEM

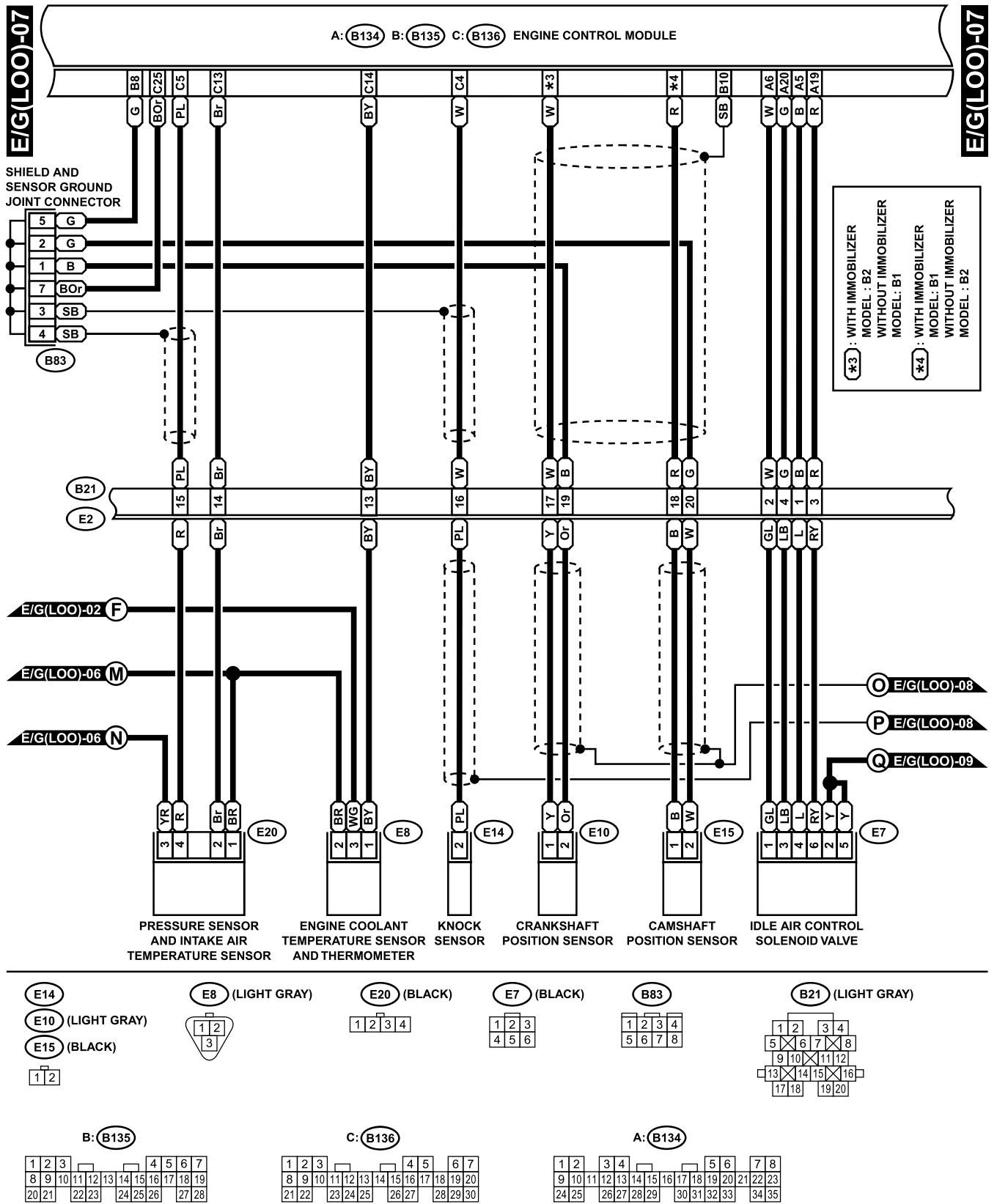
WIRING SYSTEM



GL10-20F

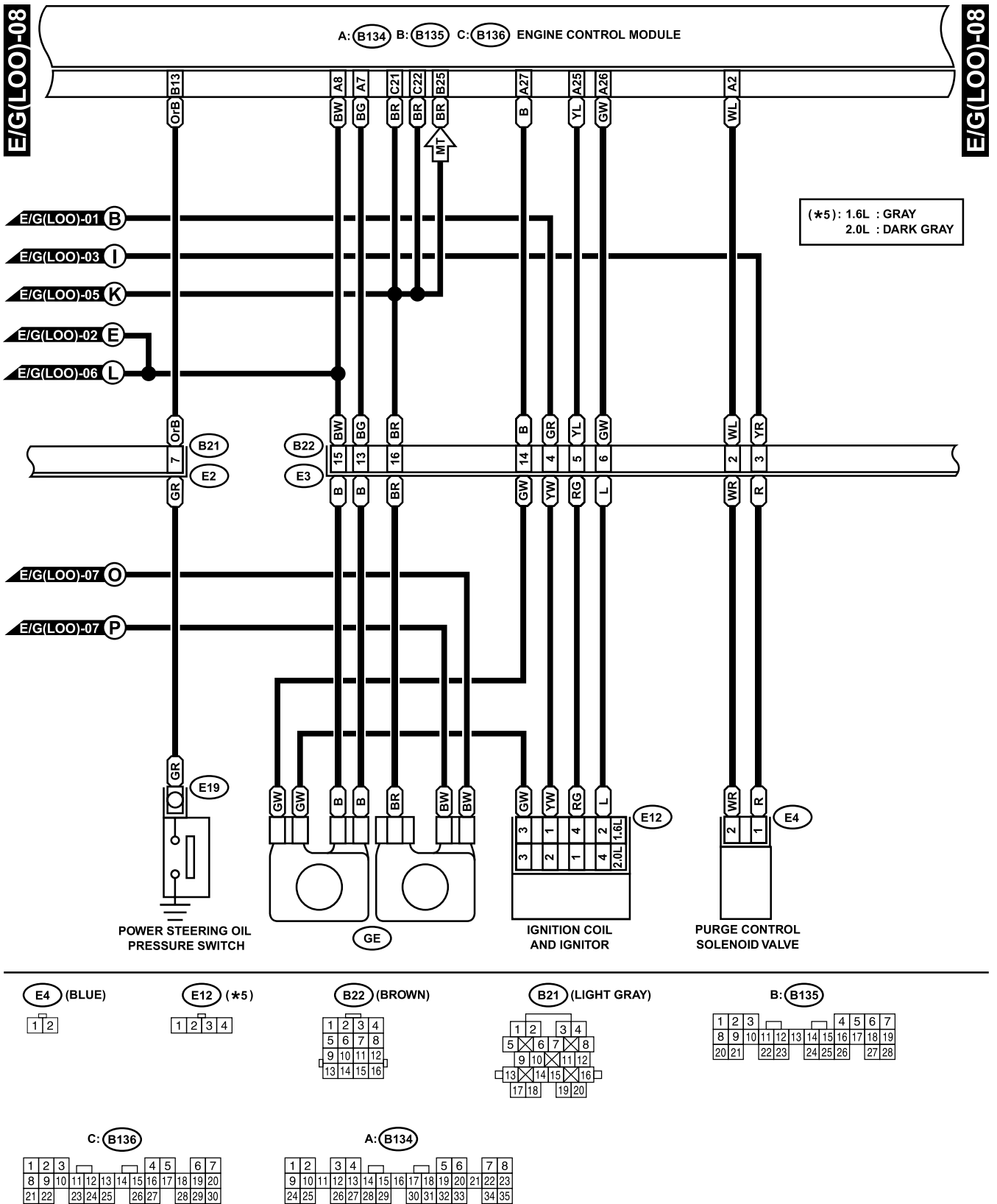
ENGINE ELECTRICAL SYSTEM

WIRING SYSTEM



ENGINE ELECTRICAL SYSTEM

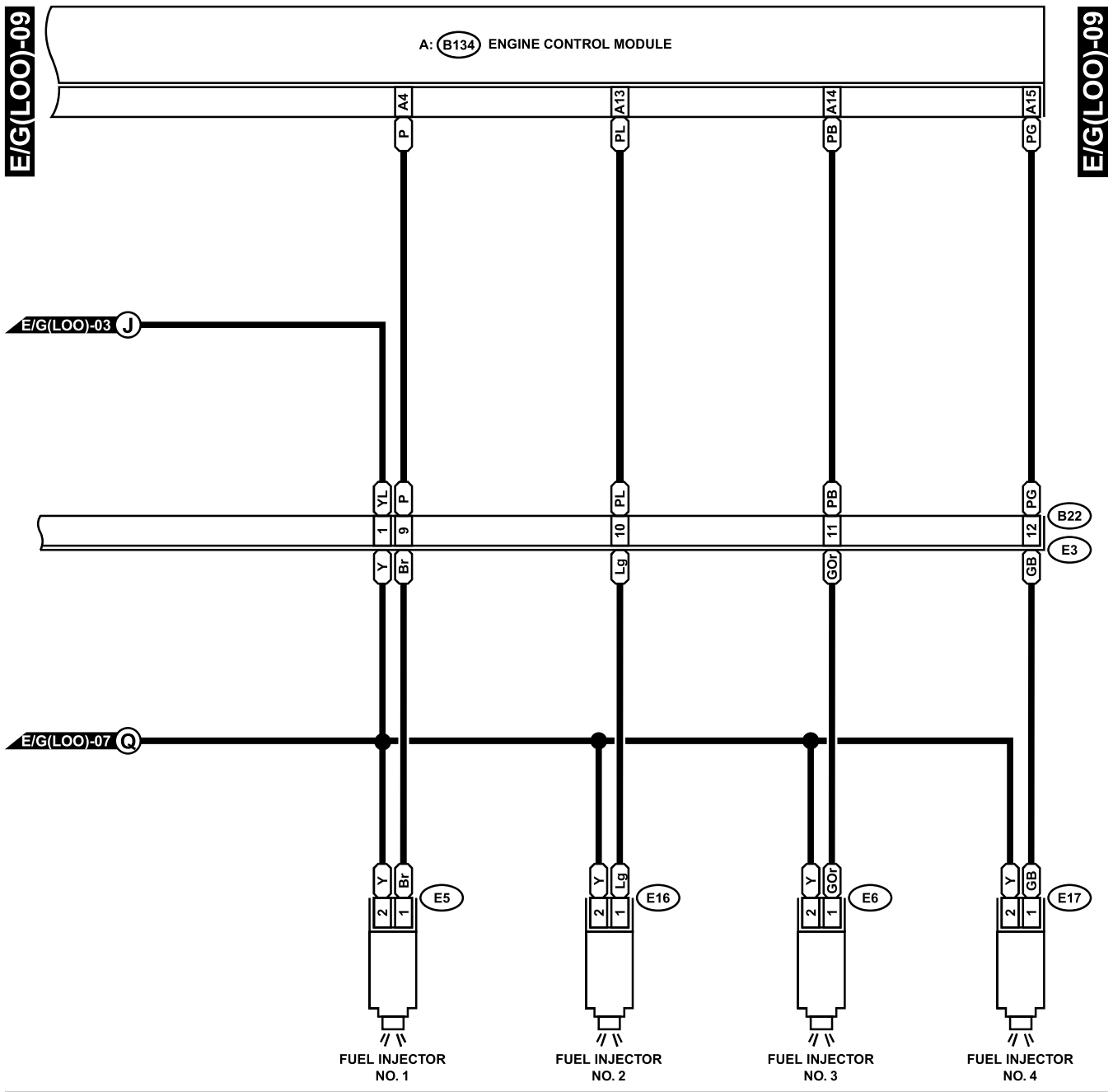
WIRING SYSTEM



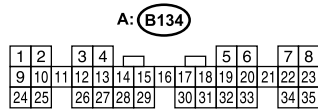
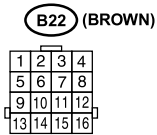
GL10-20H

ENGINE ELECTRICAL SYSTEM

WIRING SYSTEM



- E5** (LIGHT GRAY)
- E6** (LIGHT GRAY)
- E16** (LIGHT GRAY)
- E17** (LIGHT GRAY)
- 1 2**



GL10-201

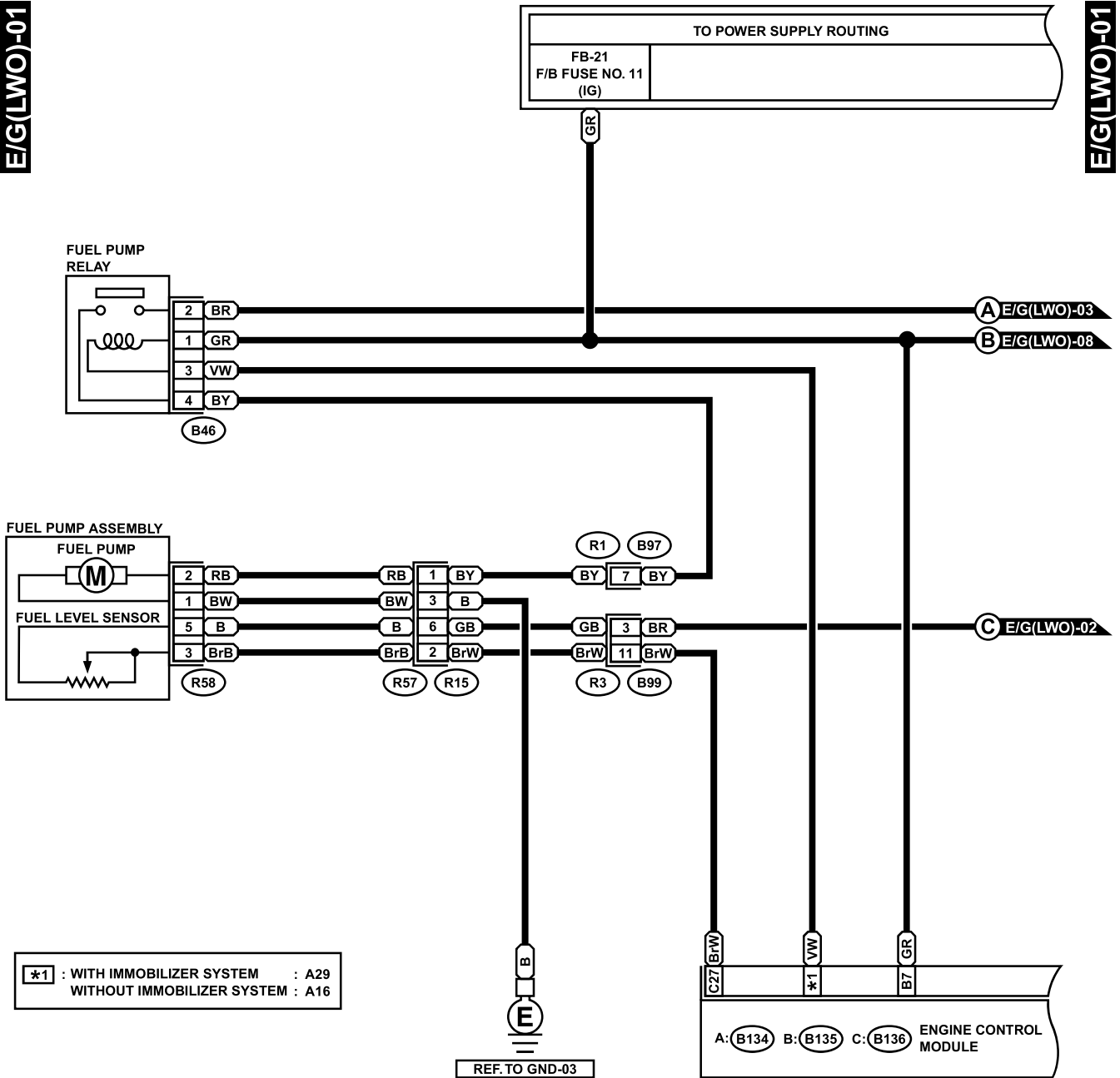
ENGINE ELECTRICAL SYSTEM

WIRING SYSTEM

2. LHD SOHC MODEL

E/G(LWO)-01

E/G(LWO)-01



B46 (GREEN)

| | |
|---|---|
| 1 | 2 |
| 3 | 4 |

R15 (BLACK)

| | |
|---|---|
| 1 | 2 |
| 3 | 4 |
| 5 | 6 |

R58

| | | |
|---|---|---|
| 1 | 2 | 3 |
| 4 | 5 | 6 |

B97

| | | | |
|---|---|---|---|
| 1 | 2 | 3 | 4 |
| 5 | 6 | 7 | 8 |

B99

| | | | | | | | | | | | | |
|----|----|----|----|----|----|----|----|----|----|----|----|----|
| 1 | 2 | 3 | 4 | 5 | 6 | 7 | 8 | 9 | 10 | 11 | | |
| 12 | 13 | 14 | 15 | 16 | 17 | 18 | 19 | 20 | 21 | 22 | 23 | 24 |

B: B135

| | | | | | | | | | | | |
|----|----|----|----|----|----|----|----|----|----|----|----|
| 1 | 2 | 3 | 4 | 5 | 6 | 7 | | | | | |
| 8 | 9 | 10 | 11 | 12 | 13 | 14 | 15 | 16 | 17 | 18 | 19 |
| 20 | 21 | 22 | 23 | 24 | 25 | 26 | 27 | 28 | | | |

C: B136

| | | | | | | | | | | | | |
|----|----|----|----|----|----|----|----|----|----|----|----|----|
| 1 | 2 | 3 | 4 | 5 | 6 | 7 | | | | | | |
| 8 | 9 | 10 | 11 | 12 | 13 | 14 | 15 | 16 | 17 | 18 | 19 | 20 |
| 21 | 22 | 23 | 24 | 25 | 26 | 27 | 28 | 29 | 30 | | | |

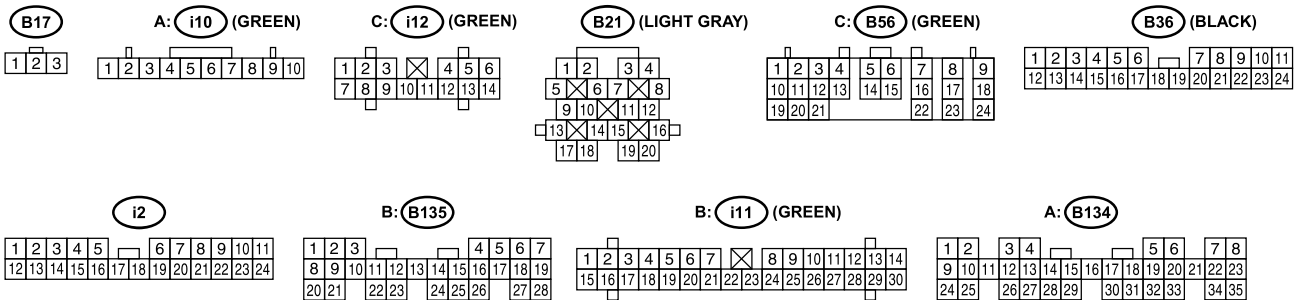
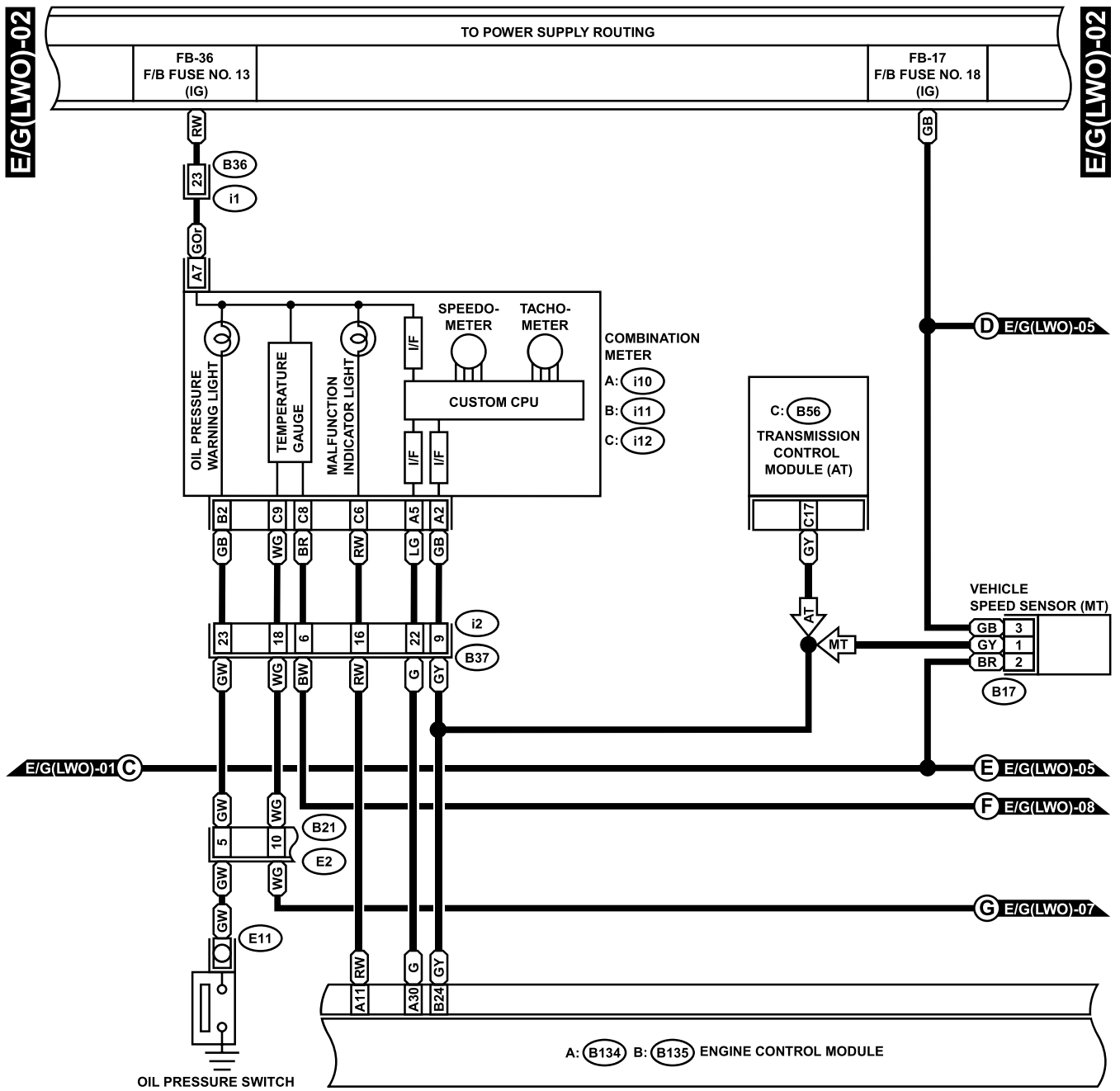
A: B134

| | | | | | | | | | | | | | | |
|----|----|----|----|----|----|----|----|----|----|----|----|----|----|----|
| 1 | 2 | 3 | 4 | 5 | 6 | 7 | 8 | | | | | | | |
| 9 | 10 | 11 | 12 | 13 | 14 | 15 | 16 | 17 | 18 | 19 | 20 | 21 | 22 | 23 |
| 24 | 25 | 26 | 27 | 28 | 29 | 30 | 31 | 32 | 33 | 34 | 35 | | | |

GL10-22A

ENGINE ELECTRICAL SYSTEM

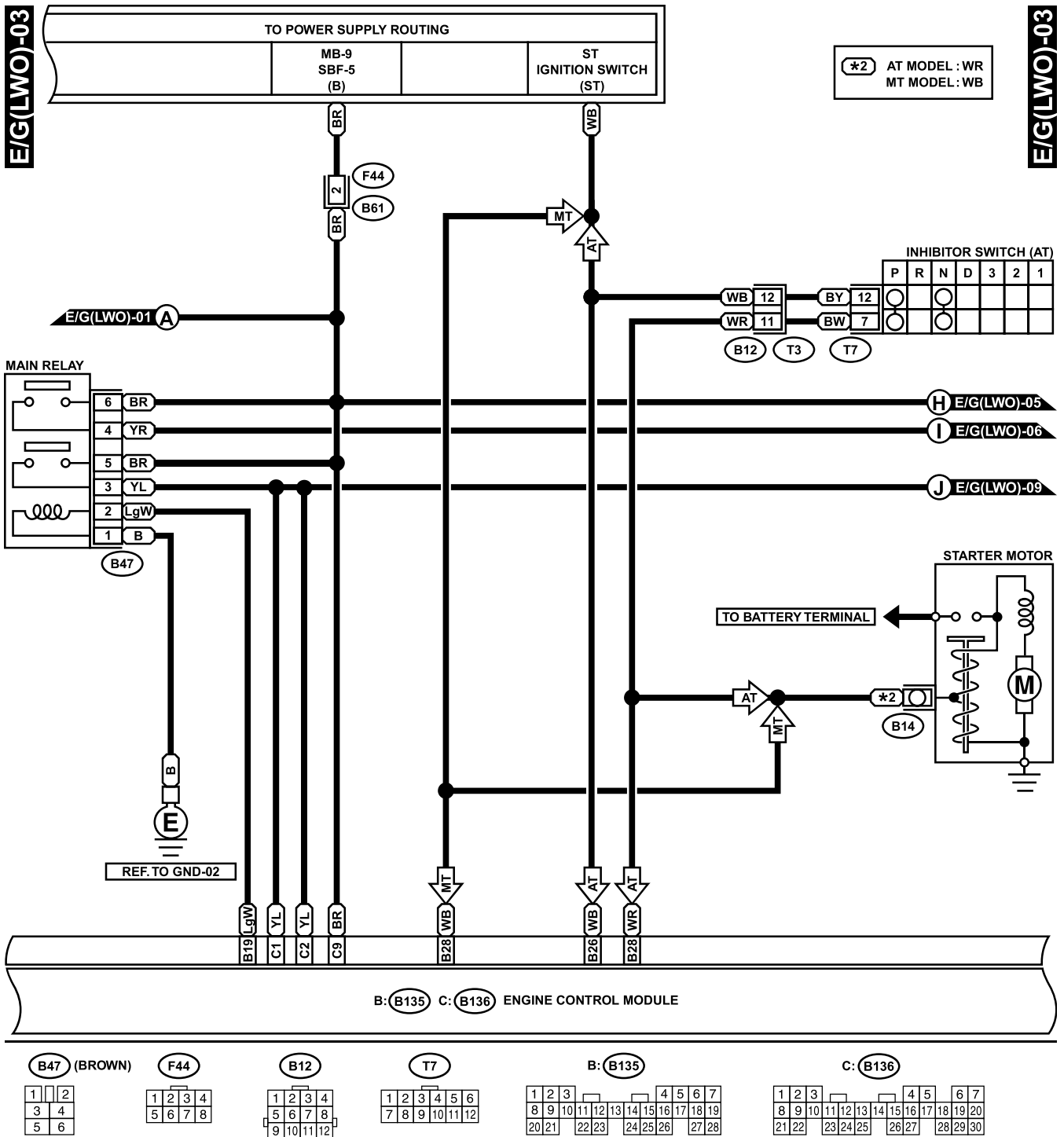
WIRING SYSTEM



GL10-22B

ENGINE ELECTRICAL SYSTEM

WIRING SYSTEM



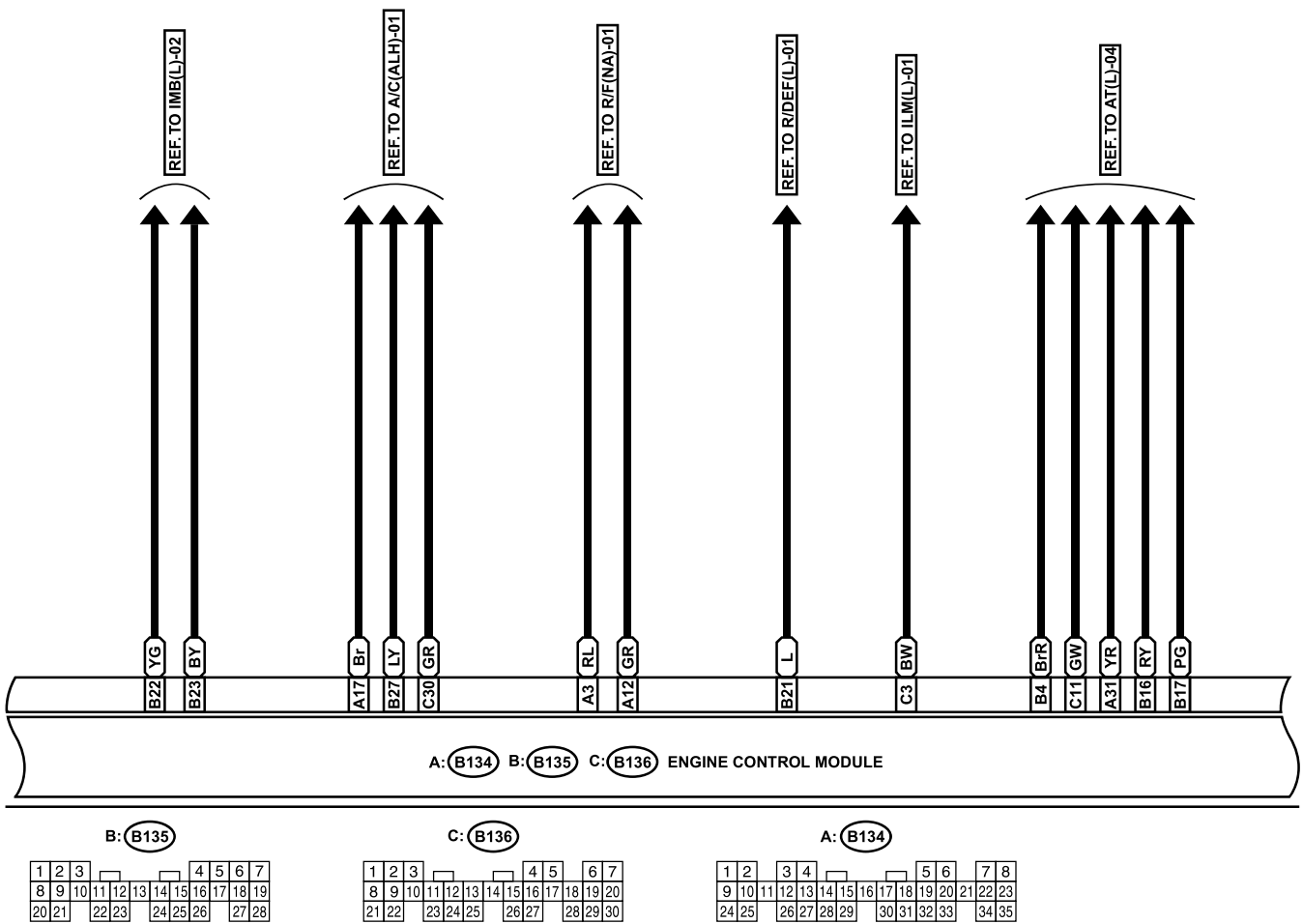
GL10-22C

ENGINE ELECTRICAL SYSTEM

WIRING SYSTEM

E/G(LWO)-04

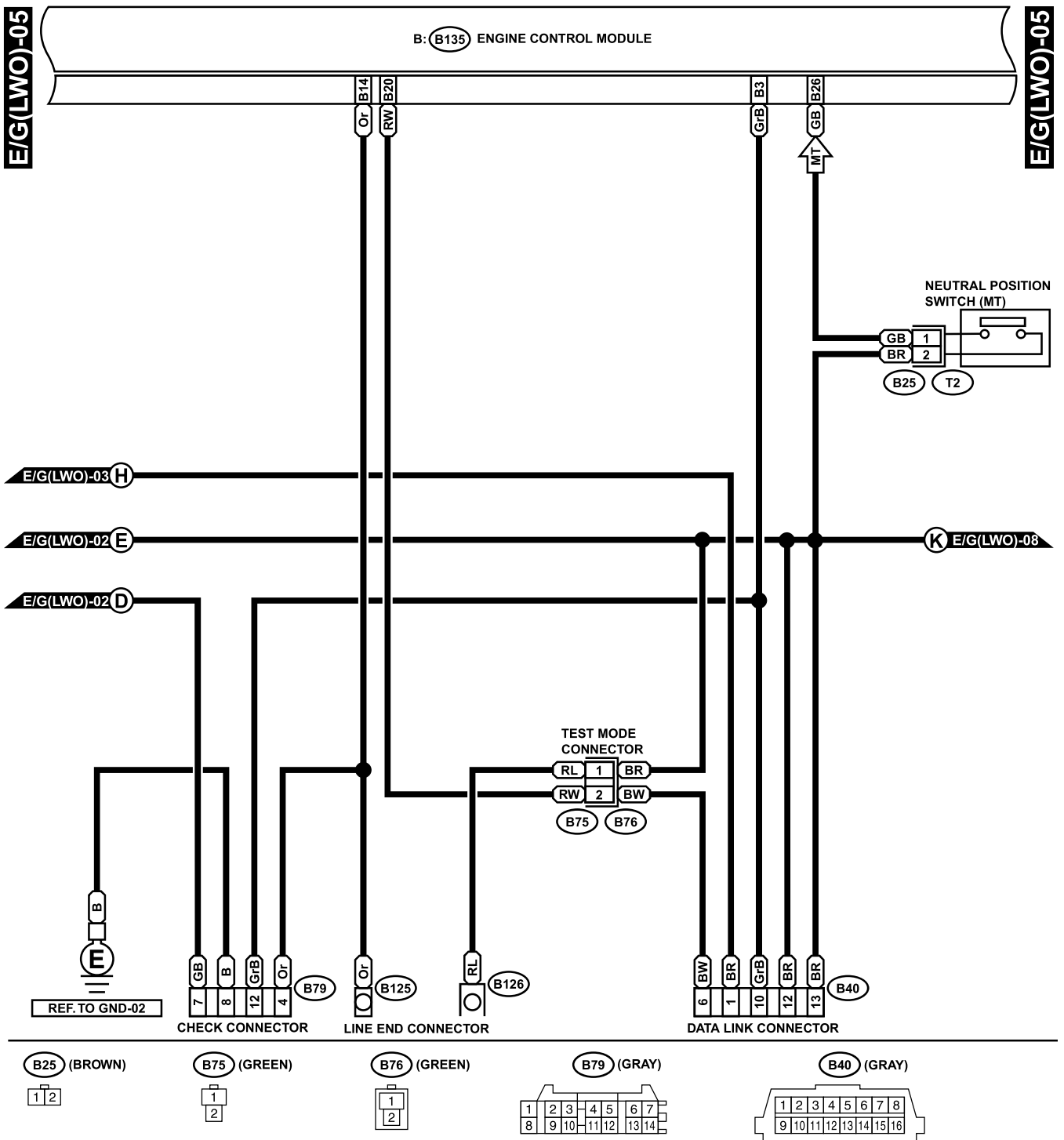
E/G(LWO)-04



GL10-22D

ENGINE ELECTRICAL SYSTEM

WIRING SYSTEM



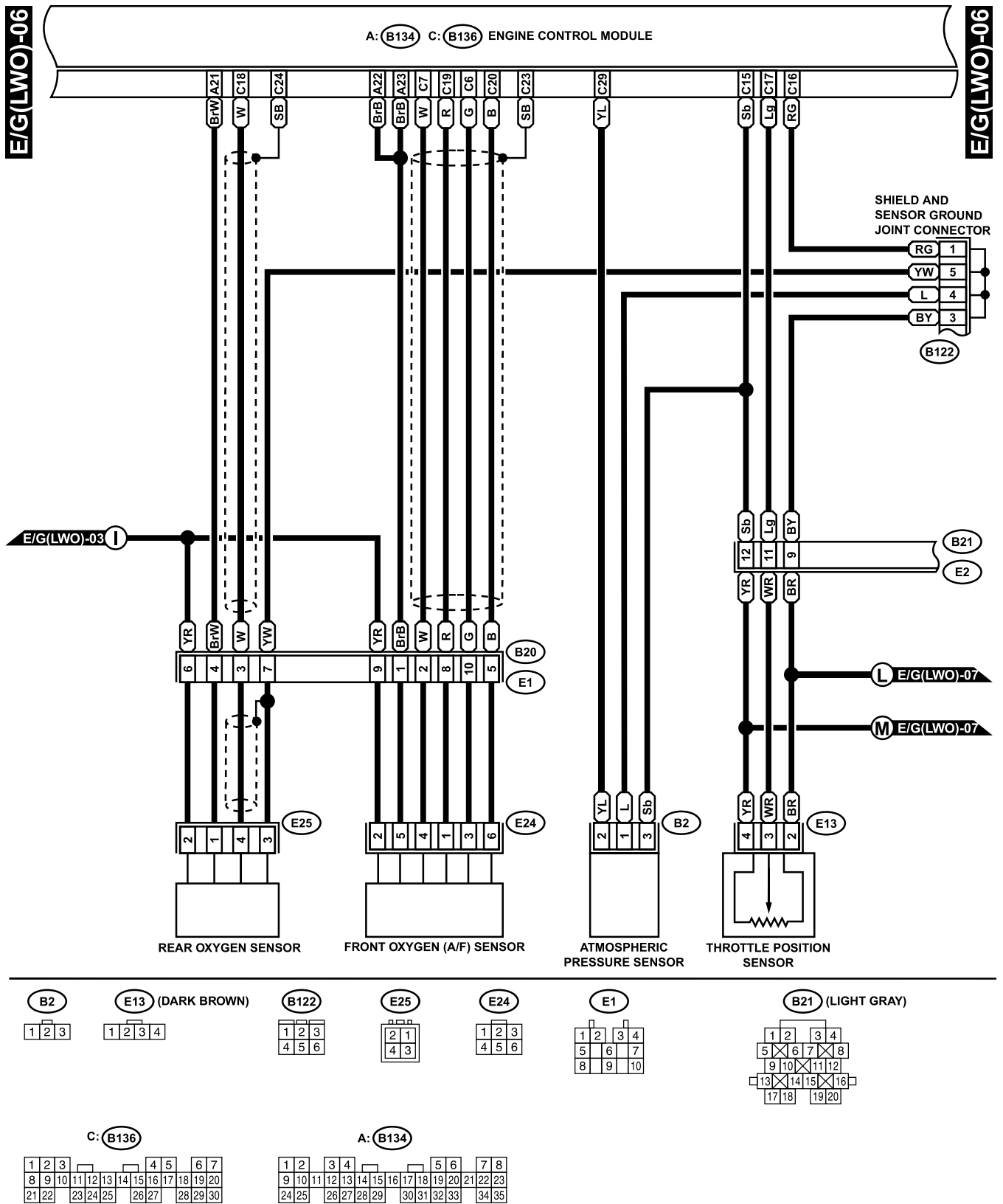
B: (B135)

| | | | | | | | |
|----|----|----|----|----|----|----|----|
| 1 | 2 | 3 | | 4 | 5 | 6 | 7 |
| 8 | 9 | 10 | 11 | 12 | 13 | 14 | 15 |
| 16 | 17 | 18 | 19 | | | | |
| 20 | 21 | 22 | 23 | 24 | 25 | 26 | 27 |
| 28 | | | | | | | |

GL10-22E

ENGINE ELECTRICAL SYSTEM

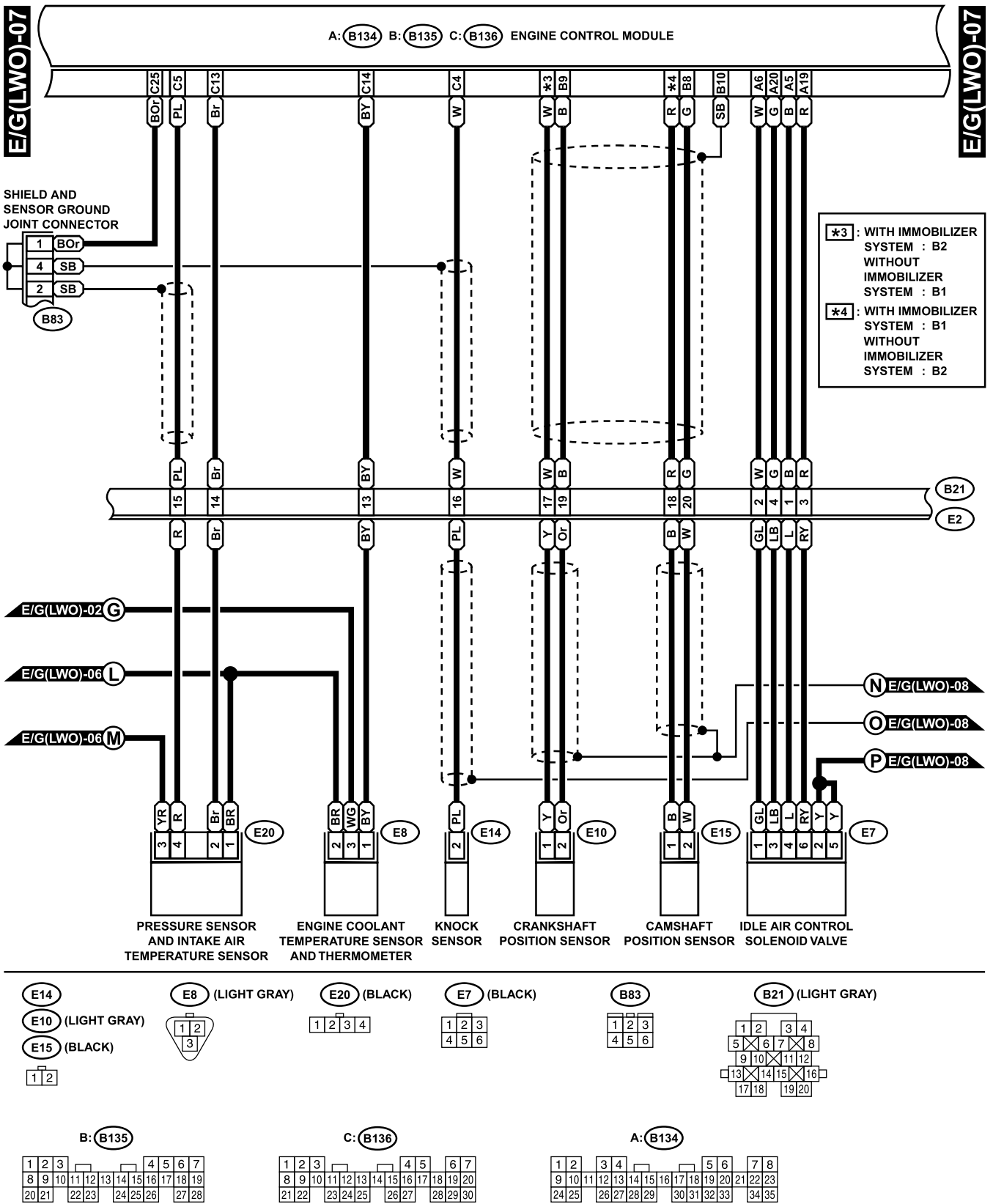
WIRING SYSTEM



GL10-22F

ENGINE ELECTRICAL SYSTEM

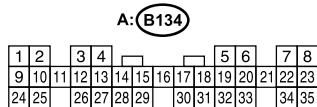
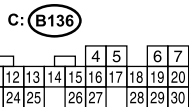
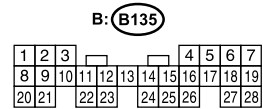
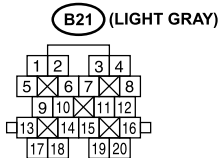
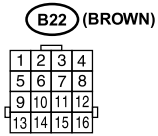
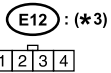
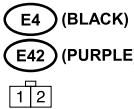
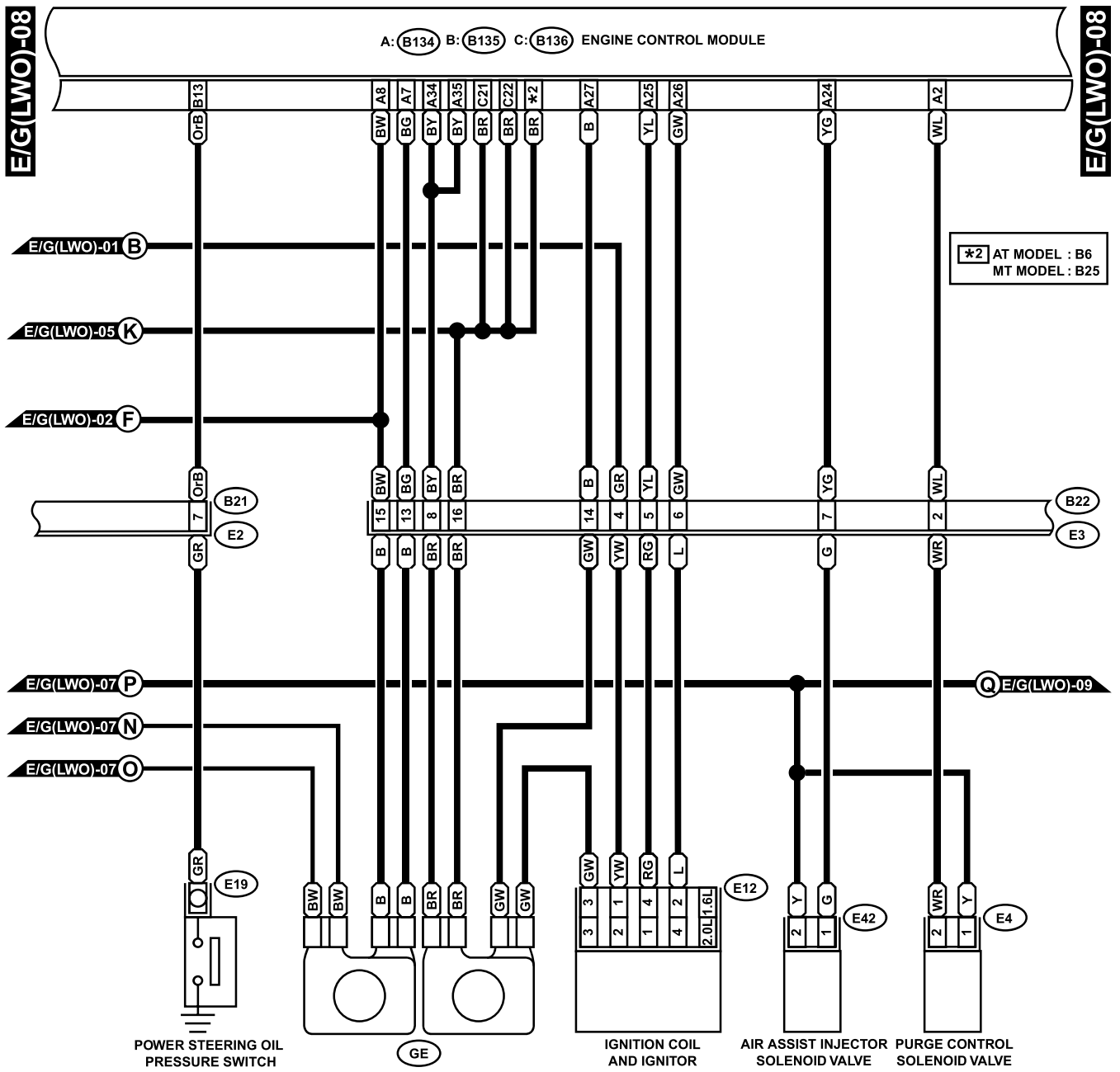
WIRING SYSTEM



GL10-22G

ENGINE ELECTRICAL SYSTEM

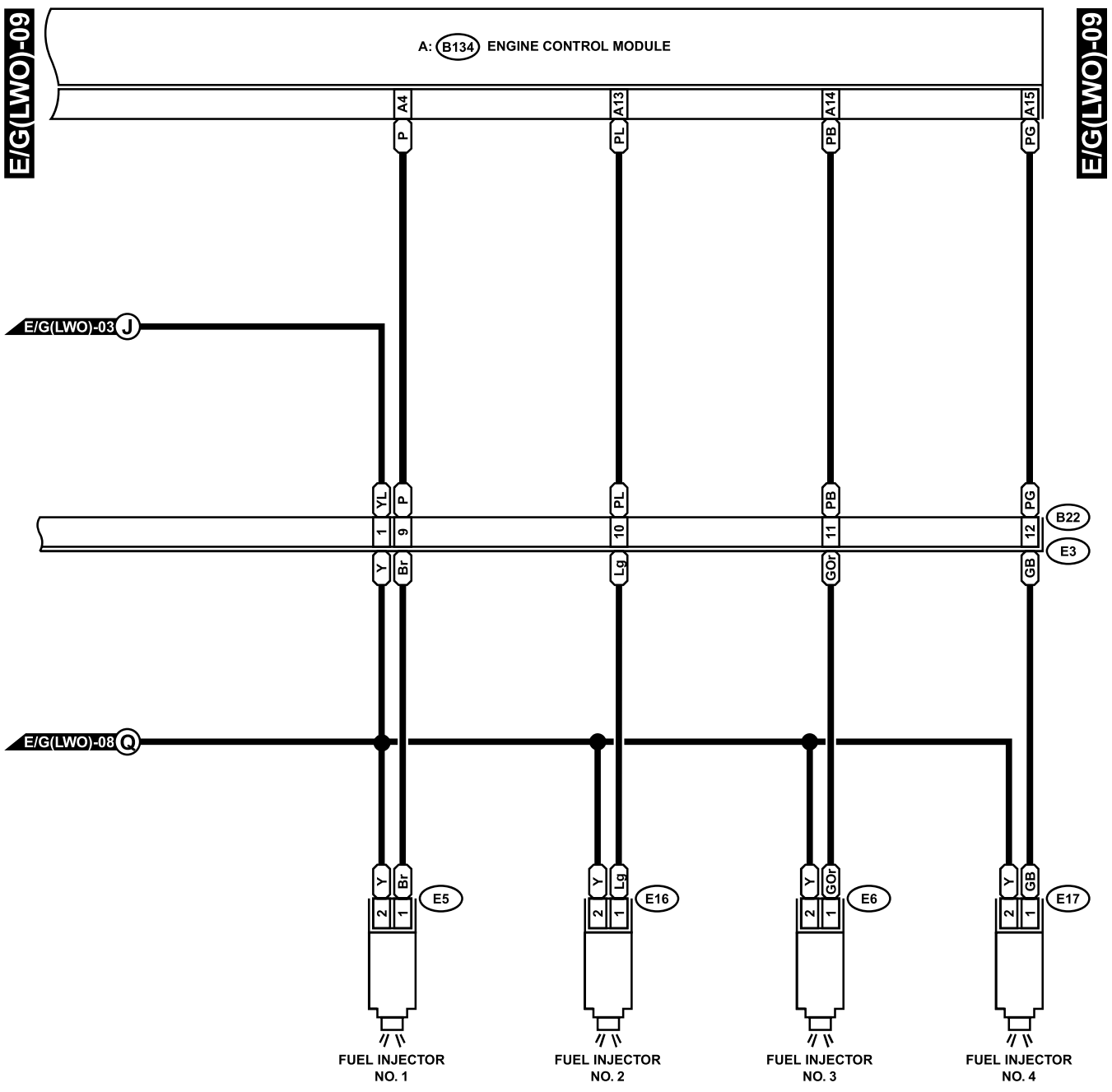
WIRING SYSTEM



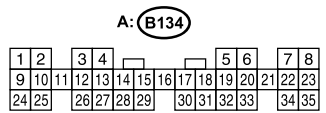
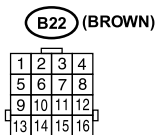
(*3) 1.6L: (GRAY)
 2.0L: (DARK GRAY)

ENGINE ELECTRICAL SYSTEM

WIRING SYSTEM



- E5 (LIGHT GRAY)
- E6 (LIGHT GRAY)
- E16 (LIGHT GRAY)
- E17 (LIGHT GRAY)
- 1 2



GL10-221