

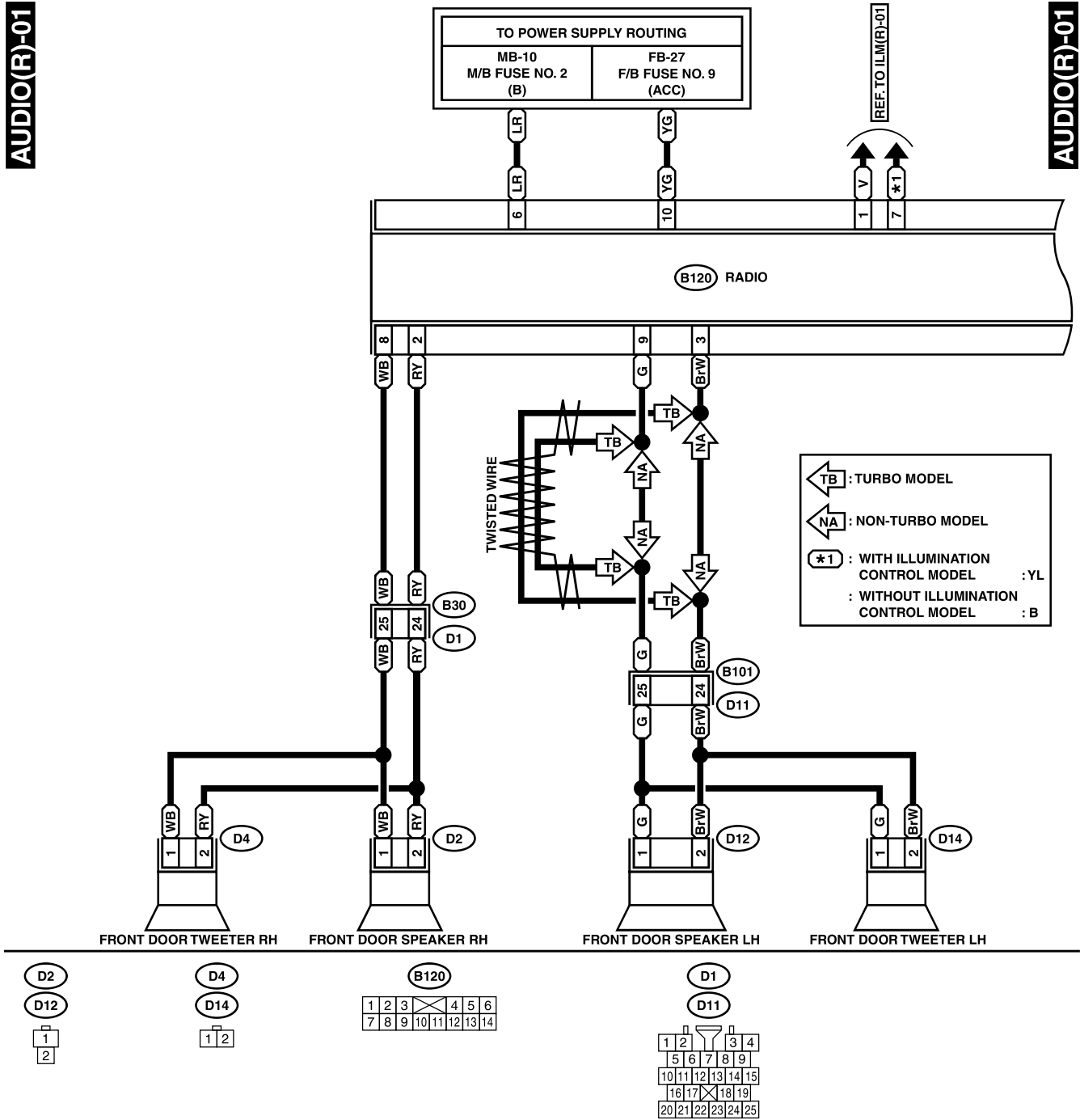
AUDIO SYSTEM

WIRING SYSTEM

2. RHD MODEL

AUDIO(R)-01

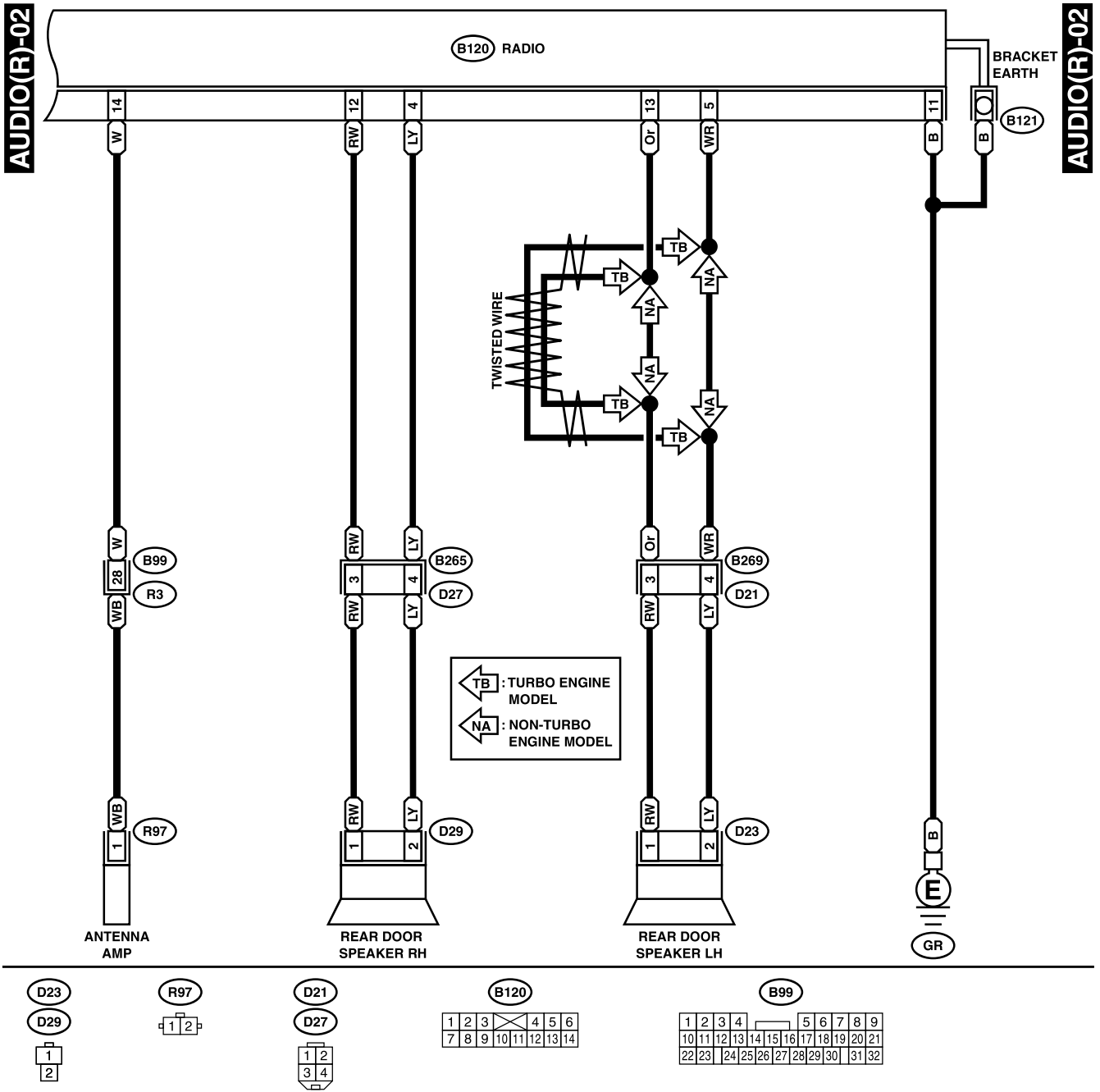
AUDIO(R)-01



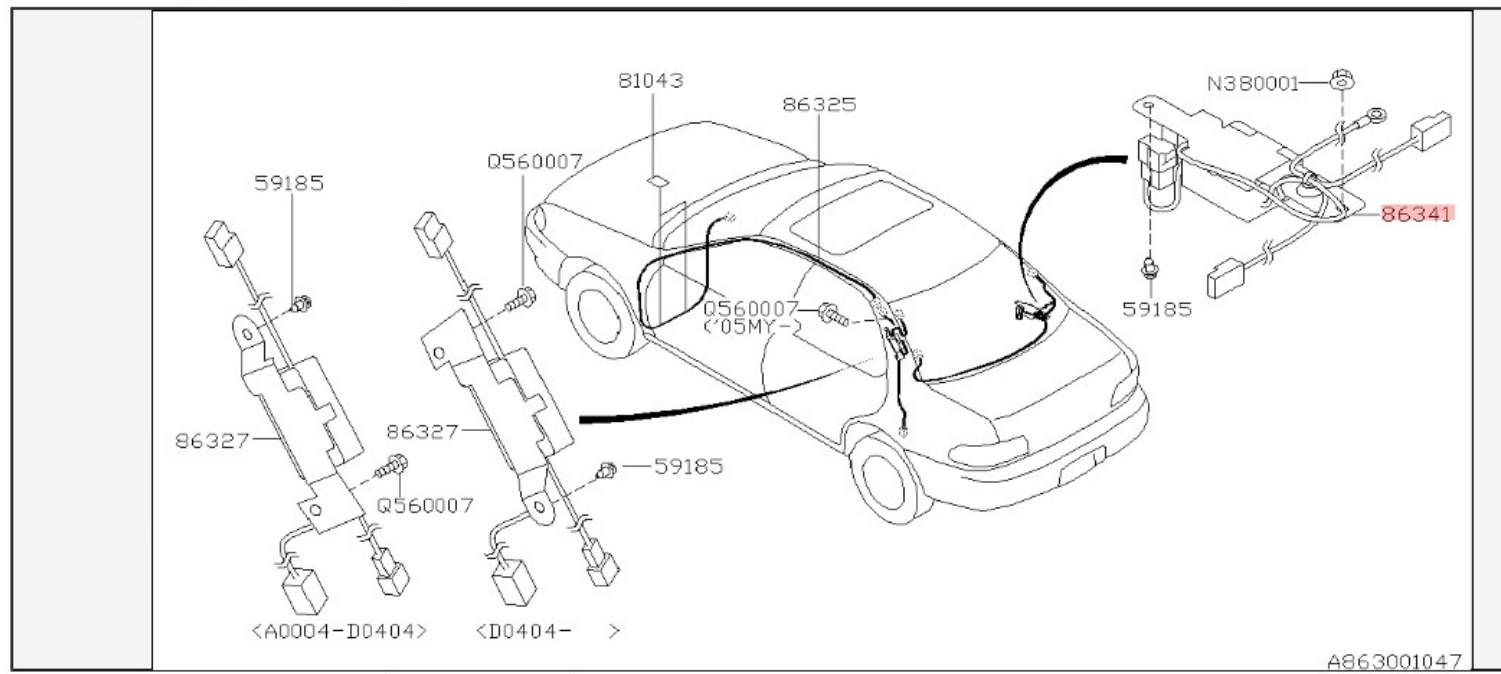
WI-02297

AUDIO SYSTEM

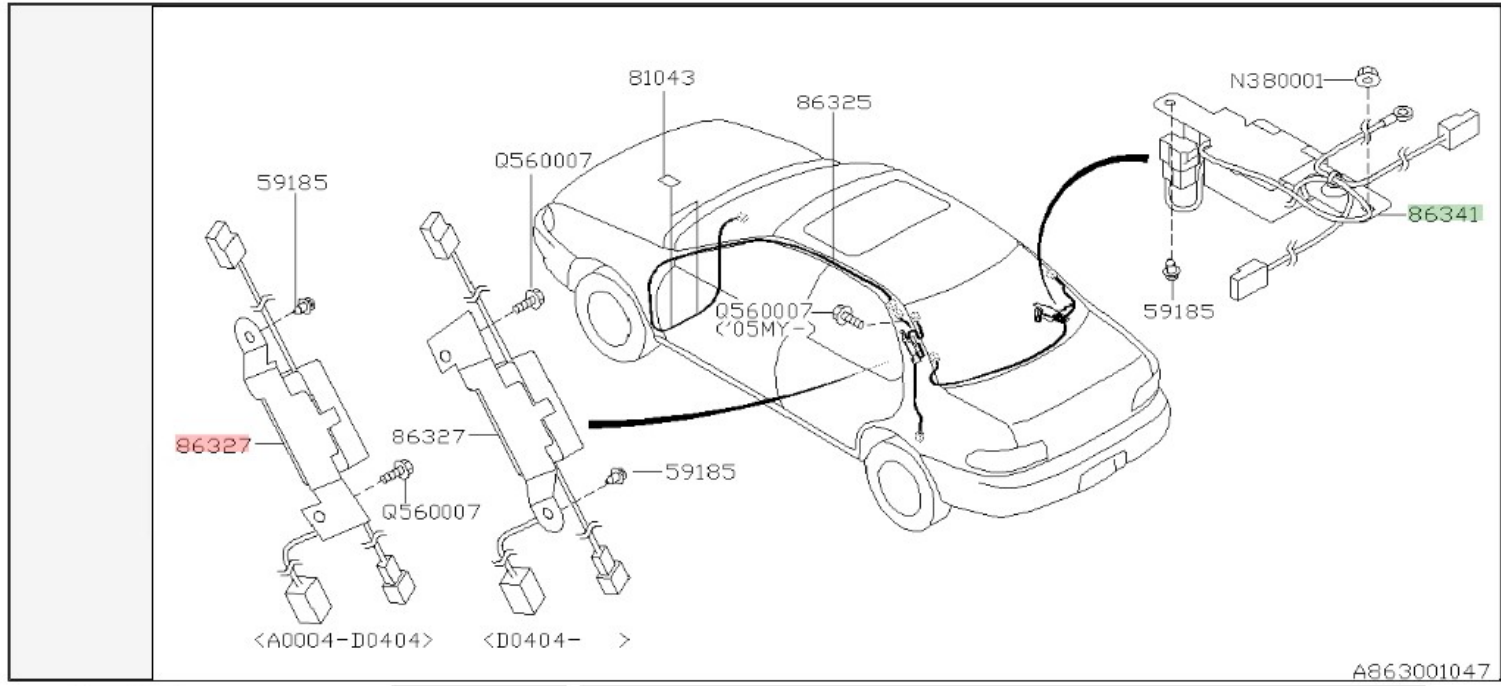
WIRING SYSTEM



WI-02298



Q'ty Part Code **86341** NOISE SUPPRESSOR ASSEMBLY A863001047



Q'ty Part Code **86327** AMPLIFIER ASSEMBLY-ANTENNA A863001047

8. Antenna

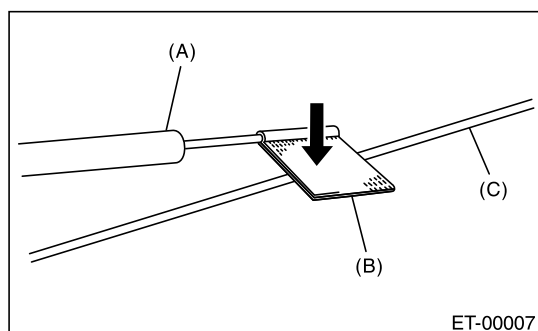
A: INSPECTION

Measure the resistance between antenna terminal and each antenna wire.

If an antenna wire is OK, resistance will be less than $1\ \Omega$. If an antenna wire is broken, the resistance will be more than $1\ M\Omega$.

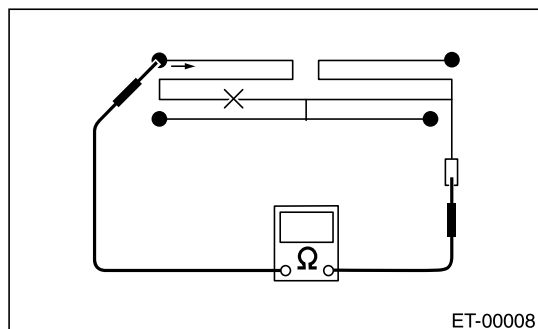
NOTE:

When checking the continuity, wind a piece of aluminum foil around the tip of tester probe, and then press the aluminum foil against wire with your finger.



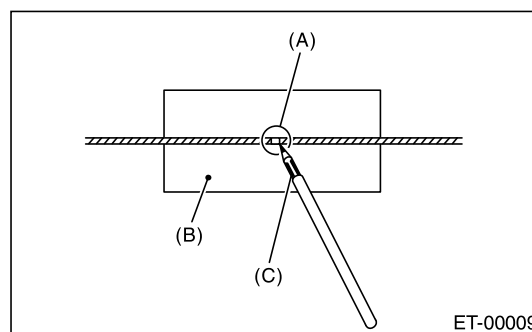
- (A) Tester probe
- (B) Aluminum foil
- (C) Antenna wire

To locate the broken point, move the probe along antenna wire.



B: REPAIR

- 1) Clean the antenna wire and surrounding area with a cloth dampened by alcohol.
- 2) Paste a thin masking film on the glass along broken wire.
- 3) Deposit conductive silver composition (DU-PONT No. 4817) on the broken portion with a drawing pen.



- (A) Broken portion
- (B) Masking film
- (C) Conductive silver composition

- 4) Dry out the deposited portion.
- 5) After repair has been completed, measure the resistance in repaired wire.

ANTENNA AMPLIFIER

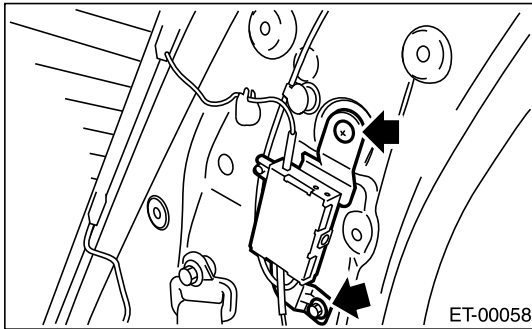
ENTERTAINMENT

9. Antenna Amplifier

A: REMOVAL

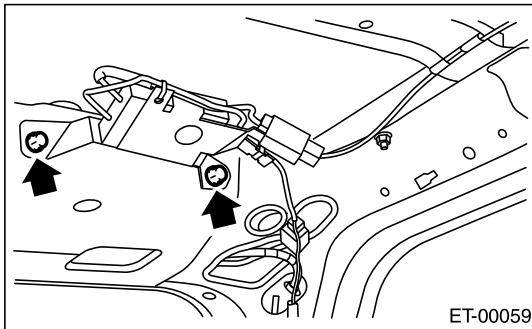
1. SEDAN

- 1) Disconnect the ground cable from battery.
- 2) Remove the rear pillar upper trim. <Ref. to EI-48, SEDAN MODEL, REMOVAL, Rear Quarter Trim.>
- 3) Disconnect the harness connector and terminal.
- 4) Remove the mounting screws and detach antenna amplifier.



2. WAGON

- 1) Disconnect the ground cable from battery.
- 2) Remove the rear quarter upper trim and roof trim. <Ref. to EI-50, WAGON MODEL, REMOVAL, Roof Trim.>
- 3) Disconnect the harness connector and terminal.
- 4) Remove the mounting screws and detach the antenna amplifier.



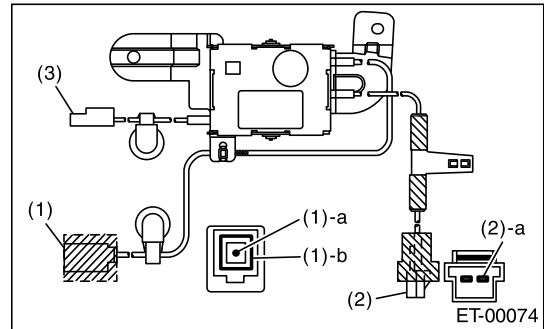
B: INSTALLATION

Install in the reverse order of removal.

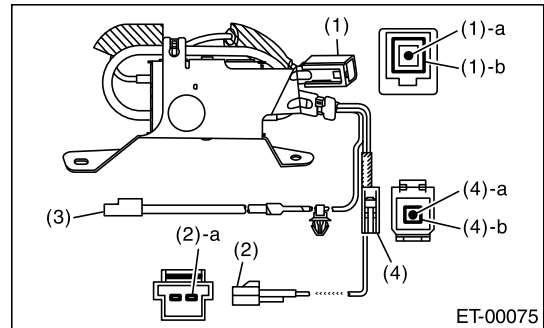
C: INSPECTION

Measure the antenna amplifier resistance.

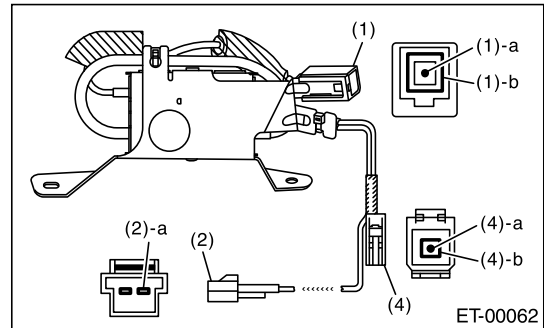
- SEDAN



- WAGON (Europe model)



- WAGON (Except for Europe model)



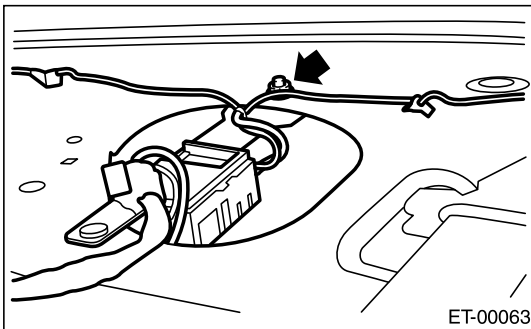
Terminal No.	Standard
1-a and Amplifier body	More than 100 kΩ
1-b and Amplifier body	Less than 1 Ω
2-a and Amplifier body	More than 100 kΩ
3 and Amplifier body	More than 100 kΩ
4-a and Amplifier body	More than 100 kΩ
4-b and Amplifier body	Less than 1 Ω

10.Noise Suppressor

A: REMOVAL

1. SEDAN

- 1) Disconnect the ground cable from battery.
- 2) Remove the rear pillar upper trim. <Ref. to EI-48, SEDAN MODEL, REMOVAL, Rear Quarter Trim.>
- 3) Remove the rear shelf trim. <Ref. to EI-53, REMOVAL, Rear Shelf Trim.>
- 4) Disconnect the feeder cord connector from antenna amplifier.
- 5) Disconnect the harness connector of noise suppressor from terminal on glass antenna.
- 6) Remove the harness clip.
- 7) Remove the mounting nut and detach the noise suppressor.



2. WAGON

- 1) Disconnect the ground cable from battery.
- 2) Remove the rear gate trim. <Ref. to EI-52, REMOVAL, Rear Gate Trim.>
- 3) Disconnect the connector from noise suppressor.
- 4) Remove the mounting nut and detach the noise suppressor.

