



GENUINE PARTS

H001EFG001 (09MY~)

H001EFG011 (09MY~)

H001ASC000 (09MY~)

(GCAD07VNF)

NAVIGATION KIT ▶ page 2 - 4

INSTALLATION MANUAL

Applicable models : Impreza models (08MY~)

• Installation will be in mirror image for vehicles with right-hand steering.

Applicable models : Forester models (09MY~)

• Installation will be in mirror image for vehicles with right-hand steering.

KIT DE NAVIGATION ▶ page 5 - 7

MANUEL D'INSTALLATION

Modèles concernés : Modèles Impreza (08MY~)

• Pour les véhicules dotés de la conduite à droite, l'installation doit être effectuée de manière inversée.

Modèles concernés : Modèles Forester (09MY~)

• Pour les véhicules dotés de la conduite à droite, l'installation doit être effectuée de manière inversée.

NAVIGATIONSBAUSATZ ▶ Seite 8 - 10

INSTALLATIONSHANDBUCH

Geeignete Modelle: Impreza-Modelle (08MY~)

• Für Fahrzeuge mit Rechtslenkung gestaltet sich die Installation spiegelbildlich.

Geeignete Modelle: Forester-Modelle (09MY~)

• Für Fahrzeuge mit Rechtslenkung gestaltet sich die Installation spiegelbildlich.

NAVIGATORE ▶ pagina 11 - 13

MANUALE DI INSTALLAZIONE

Modelli applicabili: Modelli Impreza (08MY~)

• L'installazione è speculare per i veicoli con guida a destra.

Modelli applicabili: Modelli Forester (09MY~)

• L'installazione è speculare per i veicoli con guida a destra.

KIT DE NAVEGACIÓN ▶ página 14 - 16

MANUAL DE INSTALACIÓN

Modelos aplicables: Modelos Impreza (08MY~)

• La instalación se hará en imagen de espejo para los vehículos con el volante en el lado derecho.

Modelos aplicables: Modelos Forester (09MY~)

• La instalación se hará en imagen de espejo para los vehículos con el volante en el lado derecho.



1 Parts

No.	Part name	Number of Items	External View
①	Navigation unit	1	
②	Wiring harness	1	
③	GPS Antenna	1	
④	Screw (ø5 x 14 mm)	1	
⑤	Installation manual	1	
⑥	Cushion (180 mm x 50 mm)	1	

2 Tools to be used

Plus screwdrivers (long, short), nippers, clipremover, combination wrench, ratchet handle + socket

3 Cautions in Installing

▲ WARNING

- Before wiring work is done, the battery terminal Ⓞ must be removed. Electric shock or injury due to short-circuit accident will be caused.
- The audio products must be wired in accordance with the instruction manual. Wrong wiring will result in a fire or other accident.
- To cut the coating of a cord and take the power supply of other equipment is strictly prohibited. The current capacity of the lead wire will be exceeded and a fire or electric shock will be caused.
- When the installation is made by making a hole in the car body, check the positions of pipe, tank, electric wiring, etc. and avoid contact with them. A fire will be caused.
- No extension must be made using other than the cord for vehicle power wiring. The cord coating will be easily damaged and a fire may be caused due to short-circuit or heating accident.
- Any cord passing near the sheet metal portion of the vehicle should be wrapped with protective tape. If the cord is cut, a fire may be caused due to short-circuit.
- The bolts/nuts must be securely tightened using tools of right size. They should be tightened to the specified torque if specified. Otherwise, the bolts/nuts may be damaged or removed.
- When the audio product is installed, use the fitting parts provided. Otherwise, the product interior will be damaged and a fire may be caused due to short-circuit. If faulty installation is made, the product may be removed and hit a person resulting in injury.
- The earth cord must not be fit to a bolt or nut of important safety parts such as steering portion and brake line system. Accidents will be caused.
- If the fuse of the car audio product or vehicle is blown, confirm that the cord is not short-circuited, and then replace it with a new fuse of the capacity (amperage) indicated on the fuse. If a fuse of wrong capacity is used, a fire may be caused.
- After the installation of the car audio product is completed, check that the vehicle's brake lamps, head lamps, wipers, etc. operate normally. If any of them does not normally operate, correct the installation.
- The product must not be disassembled or modified. An accident, a fire, or electric shock will be caused.
 - For checking/repairing, consult at the address mentioned in the warranty card.
 - If the repairing is done by a customer, a fire or other accident will be caused.
- Read the "SUBARU service manual" for detail procedure to detach / restore the trim.

▲ CAUTION

- The cords must not be caught or pulled too strongly. Cord breakage or short-circuit may be caused.
- When the connector is removed, the lock must be unlocked by holding the connector instead of pulling the lead wire. The lead wire will be broken or contact failure will be caused.
- Products using glass parts must not be dropped or given a strong impact. They will break resulting in injury.
- If a product using liquid crystal is broken due to impact, etc., do not touch the liquid crystal liquid. There is a danger to life. If the liquid crystal liquid sticks to your body including hands and feet or clothes, it must be immediately washed off with soap.

▲ CAUTION

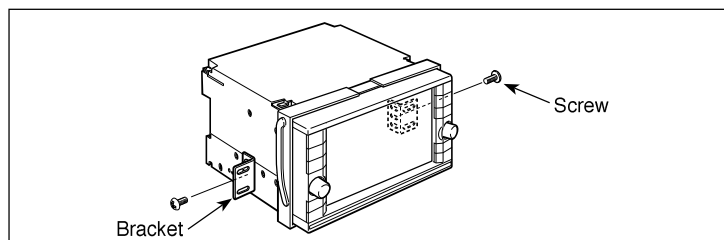
Precautions when it is installed in a vehicle equipped with SRS air bag

When it is installed in a vehicle equipped with SRS air bag (hereinafter called air bag), the installation work must be done in such a way that the air bag related parts will not be adversely affected.

- The wire harness for air bag is wrapped with a yellow cover so that it can be discriminated from other systems. For the detail, read the cautions related to the air bag in the maintenance manual.

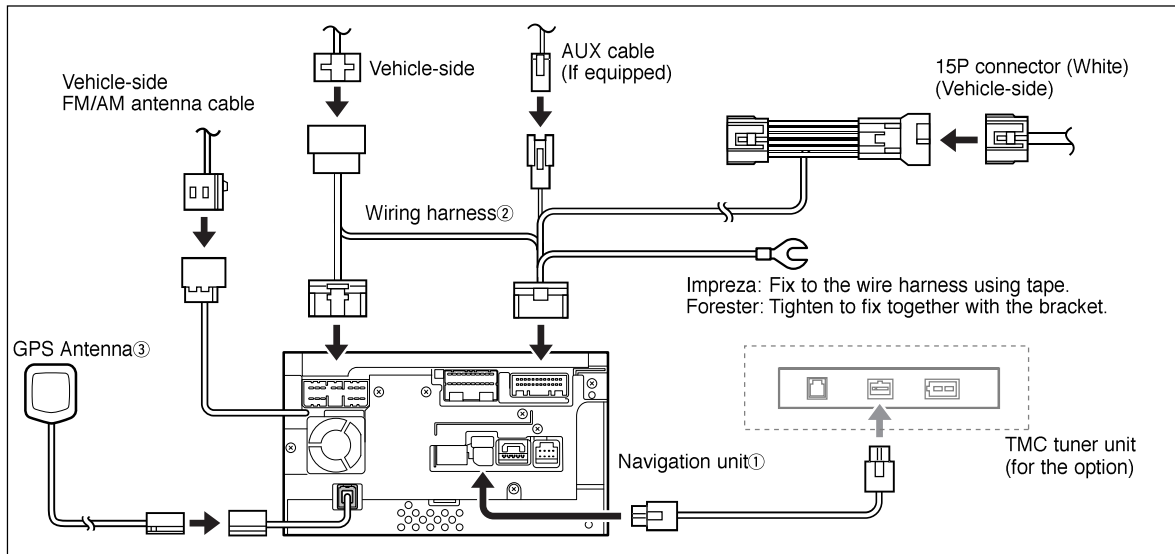
- If any of the following conditions occurs after vehicle restoration, immediate checking must be done.
 - 1 The warning lamp does not light with the key switch ON.
 - 2 The warning lamp does not extinguish about 7 seconds after the key switch is turned ON.
 - 3 The warning lamp extinguishes one about 7 seconds after the key switch is turned ON, but subsequently it lights.

4 Before starting the work



1. Remove the 2 screws, and remove the brackets from the Navigation unit ①.

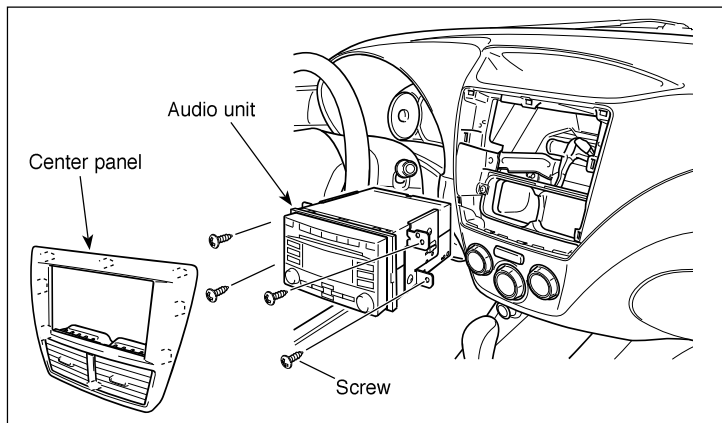
5 Connection



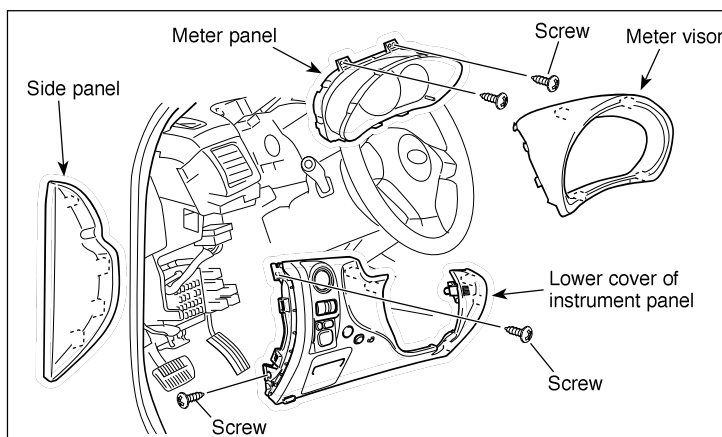
6 Installation

- Securely pull the parking brake.
- To prevent accidents, be sure to remove the \ominus terminal of the battery before starting the work (For the MT system).
- To prevent accidents, be sure to shift the gear into the "N" position and remove the \ominus terminal of the battery before starting the work (For the AT system).

Removing Parts from the Vehicle

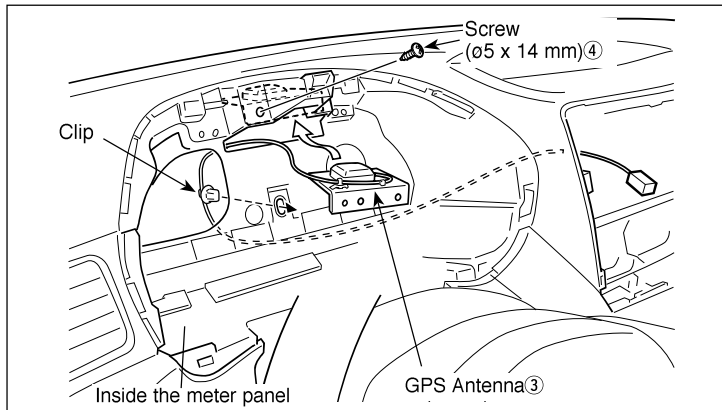


1. Remove the Center panel (by releasing 5 clips and 7 latches).
2. Remove the 4 screws from the console, and remove the audio unit.

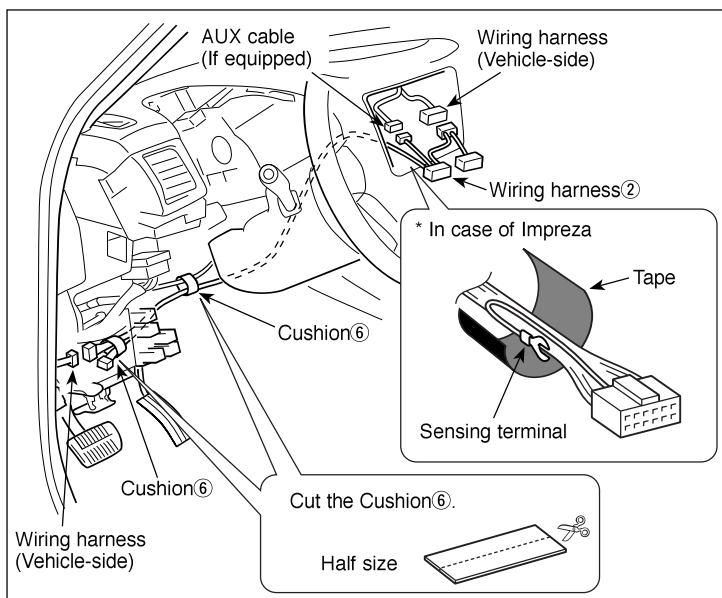


3. Remove the side panel (by releasing 4 clips).
4. Remove the 2 screws, then remove the instrument panel's lower cover (by releasing 5 clips).
5. Remove the meter visor (by releasing 4 clips and 6 latches).
6. Remove the 2 screws, then remove the meter panel.

Installing the Navigation unit



1. Route the GPS antenna cable to the back through the upper hole behind the meter panel and wire to the center console.
2. Install the GPS antenna (3) with the screw.
3. Insert the clip to the wires as shown in the drawing.



4. Connect the cable.
5. Fix the Wiring harness (2) to the vehicle-side wires with Cushion (6).

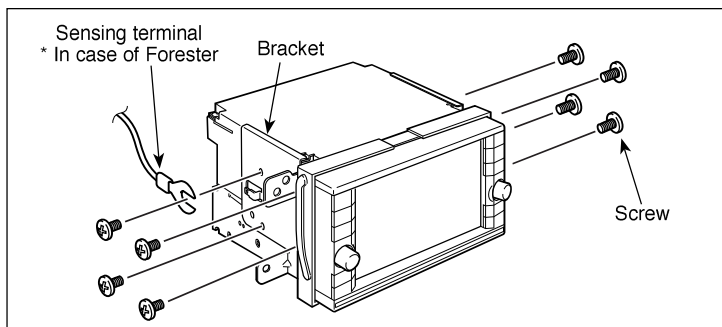
CAUTION

When connecting cables, protect them from damage by moving parts, metal edges and bolts with Cushion (6).

6. In case of Impreza, fix the sensing terminal to the Wiring harness (2) using tape.

CAUTION

Be sure to wind tape so that the entire terminal portion will be covered with tape.



7. Remove the existing brackets from the audio unit.
8. Mount the brackets using the screws you have removed in Step 6.
9. In case of Forester, tighten to fix the sensing terminal together with the bracket.

7 Restoring of removed parts of vehicle and operation checking

Recheck the connection, setting, and fixing of installed navigation, etc.

After the work is completed, restore the removed parts reversing the procedure for removal.

Check if the electric parts of the vehicle (lamps, switches, instruments) and the navigation system operate normally.

CAUTION

When bolts and nuts are tightened, they should be securely tightened using tools of right size. Tighten them to the specified torque if specified. Otherwise, the bolts/nuts may be damaged or removed.