

# Roof Molding

EXTERIOR/INTERIOR TRIM

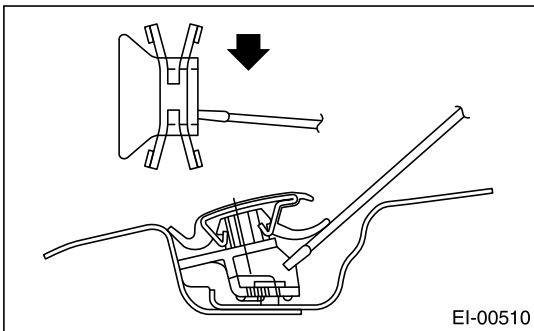
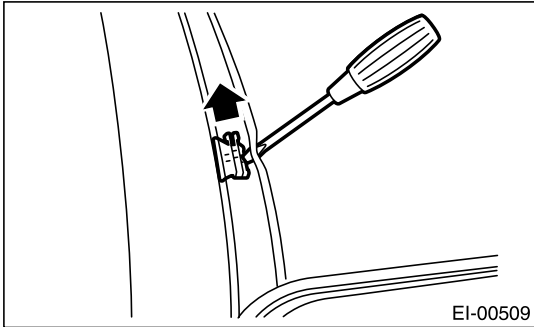
## 18. Roof Molding

### A: REMOVAL

1) Turn over the edge of roof molding, and then remove it by sliding the internal clip using a flat tip screwdriver.

RH: Slide the molding toward the rear side of vehicle.

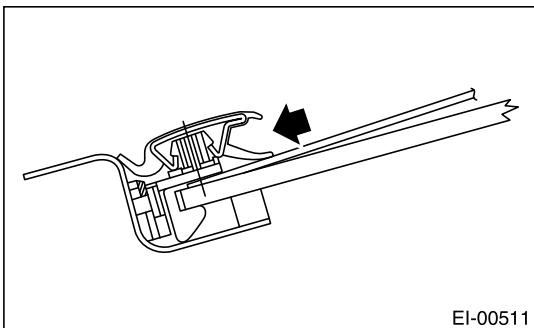
LH: Slide the molding toward the front side of vehicle.



Sedan model: six clips

Wagon model: eight clips

2) For sedan model, remove four clips of rear pillar. Turn over the roof molding on rear glass side, insert a board of about 0.5 mm (0.020 in) thickness into clearance between roof molding and glass, and then remove the claw of internal clip.

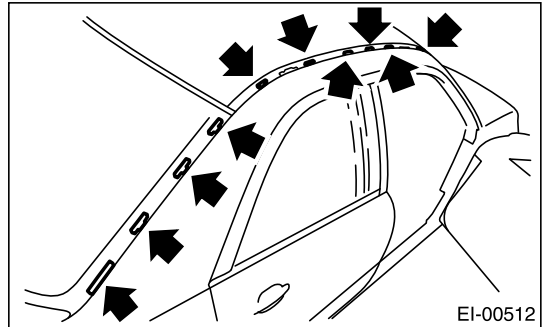


### B: INSTALLATION

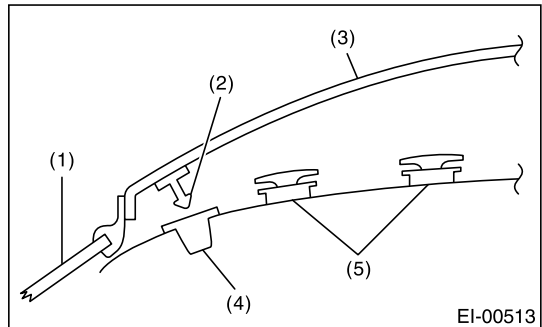
1) Remove the clip of roof and rear pillar (sedan model) from roof molding, and then install it to body side.

#### CAUTION:

**Make sure to replace the clips broken when removing the roof molding with new ones.**



2) Put the front edge of roof molding onto front window molding, and insert the front locating pin into body side cap.



- (1) Front window
- (2) Locating pin
- (3) Roof molding
- (4) Cap
- (5) Clip (roof)

3) Install the roof molding to body, by pushing the roof molding from above being careful not to deform it.