
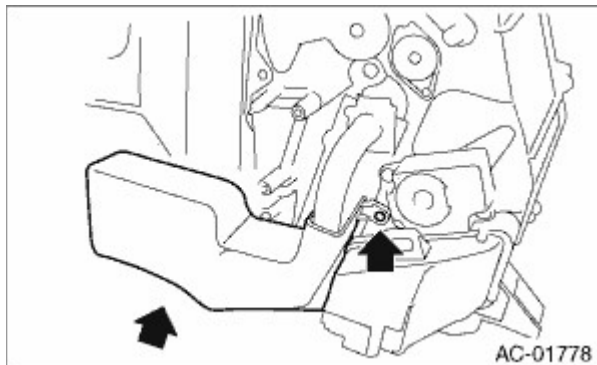


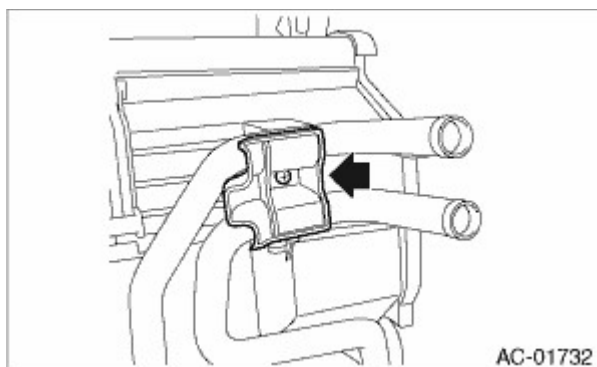
HVAC SYSTEM (HEATER, VENTILATOR AND A/C) > Heater Core

REMOVAL

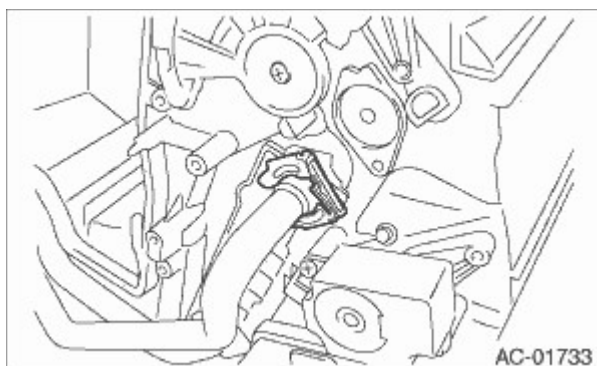
1. Remove the heater and cooling unit. 
2. Remove the screw and detach the heater pipe cover.



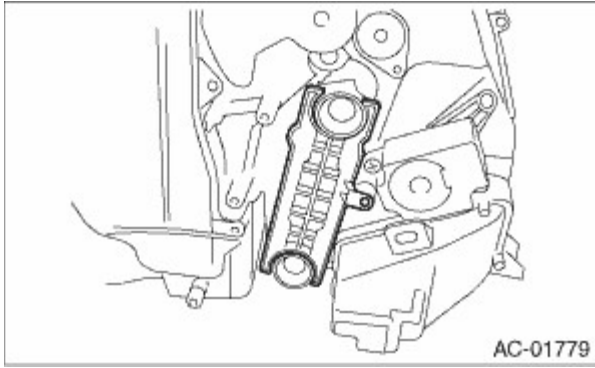
3. Remove the screw and detach the clamp.



4. Remove the pipe clamp and pipe.



5. Remove the heater core cover.



6. Remove the heater core.

